

DESCRIPTION :CABLE ASSEMBLY OF 2mm PITCH HOUSING
(P9069H) ONE SIDE CRIMPED, 10way

PART NO: PCA000862

RoHS



PHYSICAL DATA(CONNECTOR)

INSULATION

MATERIAL : NYLON 66
 FLAMMABILITY : UL94V-0
 COLOUR : NATURAL COLOR
 CRIMP TERMINAL : COPPER ALLOY, TIN PLATED
PACKAGING TYPE : STANDARD PACKING

ELECTRICAL DATA

CURRENT RATING : 3A, AC/DC
INSULATION RESISTANCE : 1000M OHMS MIN.
CONTACT RESISTANCE : 30m OHMS MAX
RATED VOLTAGE : 250V AC/DC

ENVIRONMENTAL DATA

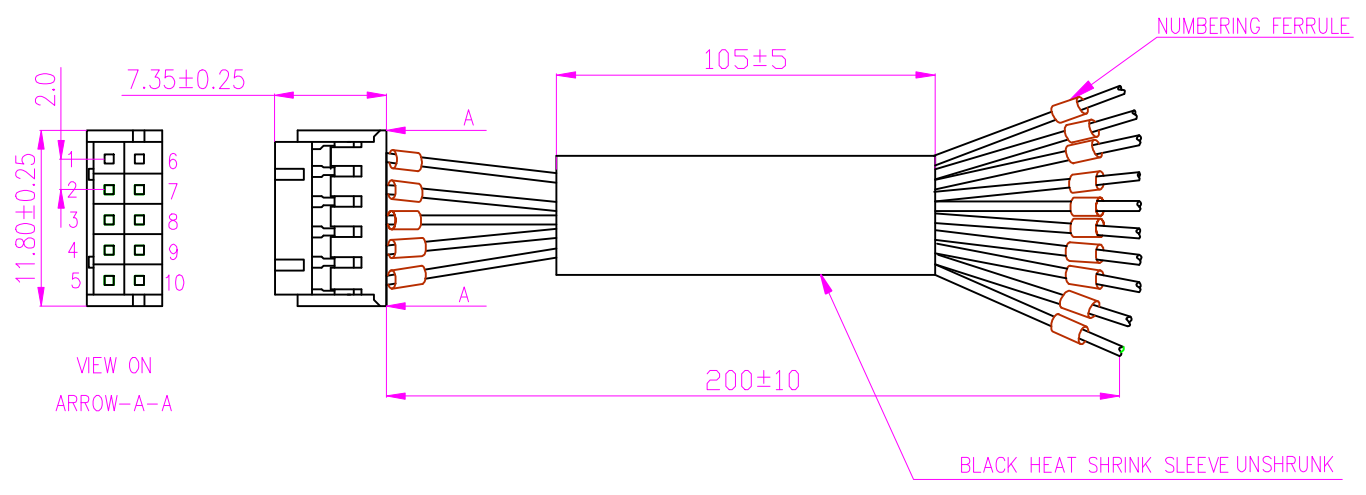
TEMPERATURE RANGE : -25° TO +85° C

FEATURES:

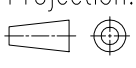
WIRE SIZE : 7/Ø0.2 PTFE CABLE WHITE COLOUR
 INSULATION OD : 1.40mm MAX

DESCRIPTION :CABLE ASSEMBLY OF 2mm PITCH HOUSING (P9069H) ONE SIDE CRIMPED, 10way

PART NO:PCA000862



- NOTES : 1. IDENTIFY THE CABLE WITH FERRULE'S AT BOTH ENDS
 2. CRIMP THE WIRES AND INSERT THEM INTO THE HOUSING AS SHOWN.

A	ORIGINAL	VENILA	21.01.2016		
REV.	DESCRIPTION	DRN. BY	DATE	CK'ED BY	APP'D BY
Projection: 		Scale: NTS	Sht. Size: A4	Gen. Tol.: ±0.3mm ±2°	ALL DIMENSIONS ARE IN MM. IF UNLESS OTHERWISE SPECIFIED.