



PROTECTRON ELECTROMECH (P) LTD

DESCRIPTION : 2.54mm PITCH, EJECTOR HEADER, DOUBLE ROW,
LONG LATCH

PART NO: P9903-XXA-15L1
XX=NO. OF CONTACTS

RoHS



PHYSICAL

INSULATION

MATERIAL	:	POLYESTER
FLAMMABILITY	:	UL94V-0
COLOR	:	BLACK

CONTACT

MATERIAL	:	COPPER ALLOY
SOLDER TAILS	:	GOLD PLATING
PACKAGING TYPE	:	TUBE/TRAY

ELECTRICAL

CURRENT RATING	:	3A
INSULATION RESISTANCE	:	1000M OHMS MIN
DIELECTRIC WITHSTANDING	:	1000V AC/MIN
CONTACT RESISTANCE	:	10m OHMS MAX

ENVIRONMENTAL DATA

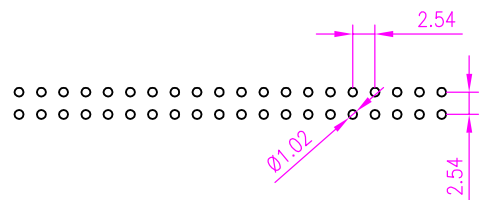
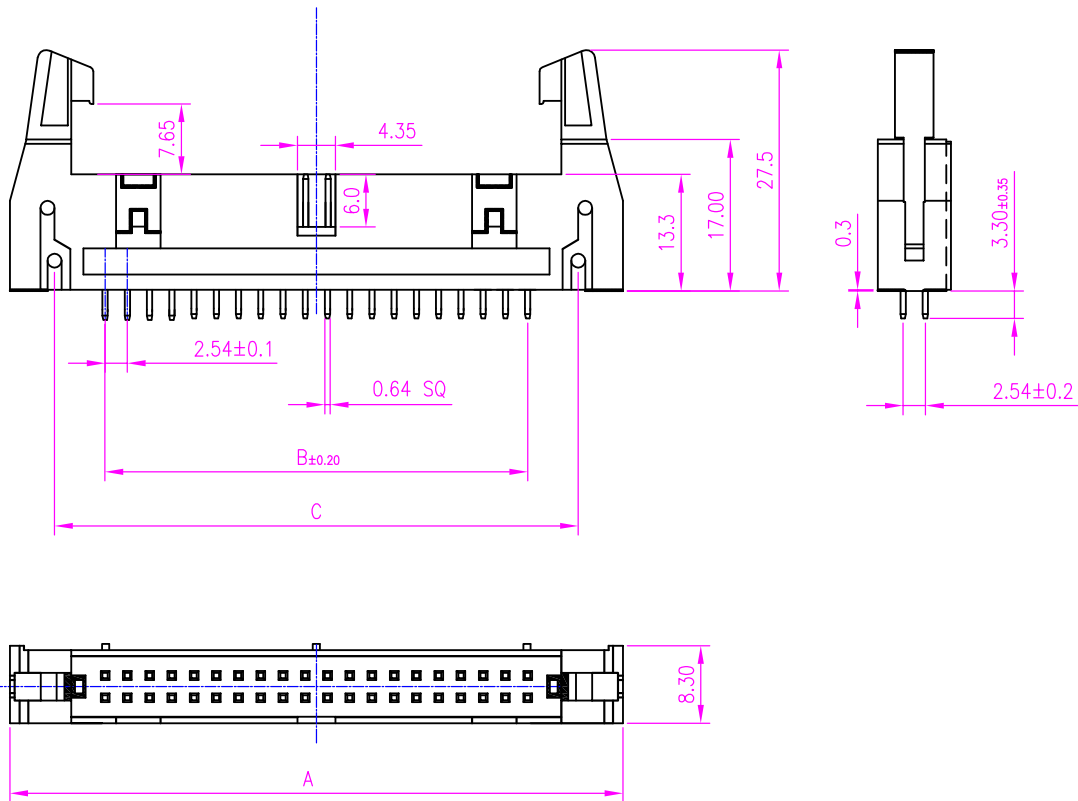
TEMPERATURE RANGE	:	-40°C TO +105°C
PROCESS RATING	:	180°C FOR 5SEC



PROTECTRON ELECTROMECH (P) LTD

DESCRIPTION : 2.54mm PITCH, EJECTOR HEADER, DOUBLE ROW,
LONG LATCH

PART NO: P9903-XXA-15L1
XX=NO. OF CONTACTS



RECOMMENDED P.C.B. LAYOUT
(PCB TOLERANCE ±0.05)

REV.	A1	DRAWING REVISED	RAVISH.S	05.06.2010		
	A	ORIGINAL	SANDHYA	27.02.2006		
		DESCRIPTION	DRN. BY	DATE	CK'ED BY	APP'D BY



Scale: NTS

Sht. Size: A4

Gen. Tol.: ±0.5mm
±0.2°

ALL DIMENSIONS ARE IN MM.
IF UNLESS OTHERWISE SPECIFIED.



PROTECTRON ELECTROMECH (P) LTD

DESCRIPTION : 2.54mm PITCH, EJECTOR HEADER, DOUBLE ROW,
LONG LATCH

PART NO: P9903-XXA-15L1
XX=NO. OF CONTACTS

NO.OF CONTACTS	A	B	C
06	26.82	5.08	16.62
08	29.36	7.62	19.16
10	31.90	10.16	21.70
12	34.44	12.70	24.38
14	36.98	15.24	26.78
16	39.52	17.78	29.32
20	44.60	22.86	34.40
24	49.68	27.94	39.48
26	52.22	30.48	42.02
30	57.30	35.56	47.10
34	62.38	40.64	52.18
40	70.00	48.26	59.80
50	82.70	60.96	72.50
60	95.40	73.66	85.20
64	100.48	78.74	90.28

MATES WITH
P9403IDS

ORDERING INFORMATION

P9903-XXA-15L1
 NO OF CONTACTS TYPE OF LATCH

MOQ- ----

SPQ- ----



PROTECTRON ELECTROMECH (P) LTD

DESCRIPTION : 2.54mm PITCH, EJECTOR HEADER, DOUBLE ROW,
SHORT LATCH

PART NO: P9903-XXA-15S1
XX=NO. OF CONTACTS

RoHS



PHYSICAL

INSULATION

MATERIAL	:	POLYESTER
FLAMMABILITY	:	UL94V-0
COLOR	:	BLACK

CONTACT

MATERIAL	:	COPPER ALLOY
SOLDER TAILS	:	GOLD PLATING
PACKAGING TYPE	:	TUBE/TRAY

ELECTRICAL

CURRENT RATING	:	3A
INSULATION RESISTANCE	:	1000M OHMS MIN
DIELECTRIC WITHSTANDING	:	1000V AC/MIN
CONTACT RESISTANCE	:	10m OHMS MAX

ENVIRONMENTAL DATA

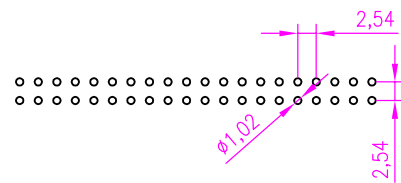
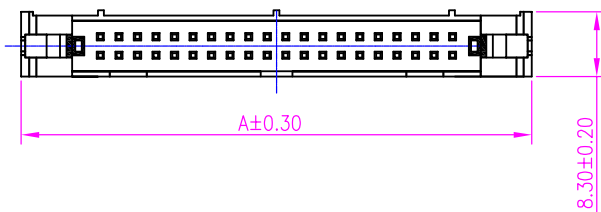
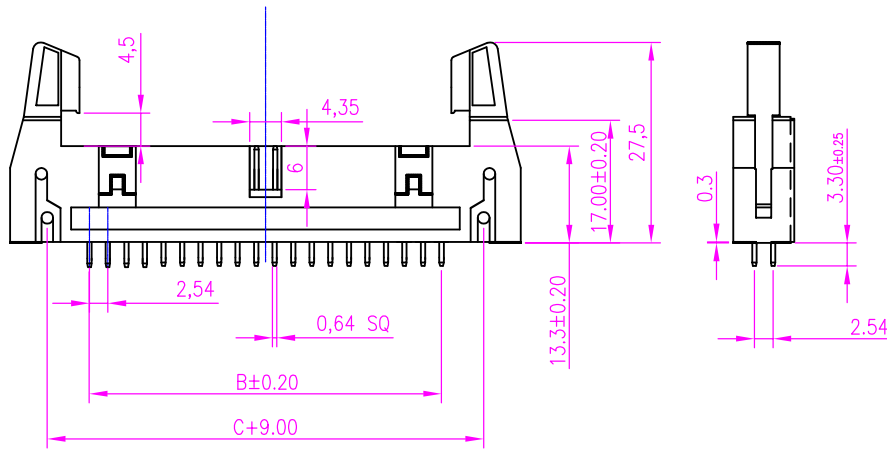
TEMPERATURE RANGE	:	-40°C TO +105°C
PROCESS RATING	:	180°C FOR 5SEC



PROTECTRON ELECTROMECH (P) LTD

DESCRIPTION : 2.54mm PITCH, EJECTOR HEADER, DOUBLE ROW,
SHORT LATCH

PART NO: P9903-XXA-15S1
XX=NO. OF CONTACTS



RECOMMENDED P.C.B. LAYOUT
(PCB TOLERANCE ±0.05)

A	ORIGINAL	JEEVAN	10.02.2011			
REV.	DESCRIPTION		DRN. BY	DATE	CK'ED BY	APP'D BY
Projection: 		Scale: NTS	Sht. Size: A4	Gen. Tol.: ±0.5mm ±0.2°	ALL DIMENSIONS ARE IN MM. IF UNLESS OTHERWISE SPECIFIED.	



PROTECTRON ELECTROMECH (P) LTD

DESCRIPTION : 2.54mm PITCH, EJECTOR HEADER, DOUBLE ROW,
SHORT LATCH

PART NO: P9903-XXA-15S1
XX=NO. OF CONTACTS

NO.OF CONTACTS	A	B	C
10	31.90	10.16	21.70
14	36.98	15.24	26.78
16	39.52	17.78	29.32
20	44.60	22.86	34.40
26	52.22	30.48	42.02
30	57.30	35.56	47.10
34	62.38	40.64	52.18
40	70.00	48.26	59.80
50	82.70	60.96	72.50
60	95.40	73.66	85.20
64	100.48	78.74	90.28

MATES WITH
P9403IDS

ORDERING INFORMATION

P9903-XXA-15S1
 NO OF CONTACTS TYPE OF LATCH

MOQ- ----

SPQ- ----