

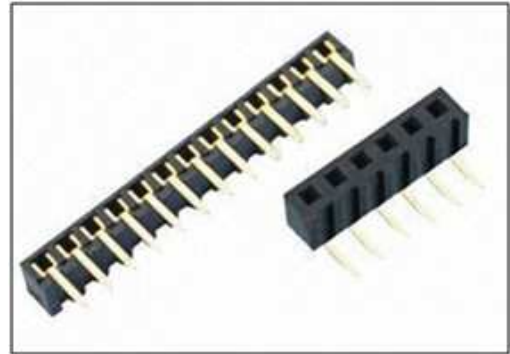


PROTECTRON ELECTROMECH (P) LTD

**DESCRIPTION : 2.54mm PITCH FEMALE HEADER, 5mm BASE,
DUAL BEAM FOLDED CONTACT, SINGLE ROW
RIGHT ANGLE**

PART NO: P9502-XX-2X
XX=NO. OF CONTACTS(3-40)
XX=TYPE OF PLATING

RoHS



PHYSICAL

INSULATION

MATERIAL : POLYESTER
FLAMMABILITY : UL94V-0
COLOR : BLACK

CONTACT

MATERIAL : COPPER ALLOY
SOLDER TAILS : REFER TABLE
PACKAGING TYPE : TUBE/TRAY

ELECTRICAL

CURRENT RATING : 3A
INSULATION RESISTANCE : 5000M OHMS MIN
DIELECTRIC WITHSTANDING : 500V AC/MIN
CONTACT RESISTANCE : 20m OHMS MAX

MECHANICAL DATA

INSERTION FORCE : 200g max.
EXTRACTION FORCE : 20g min.

ENVIRONMENTAL DATA

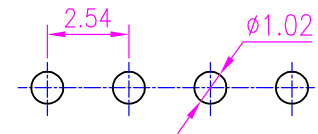
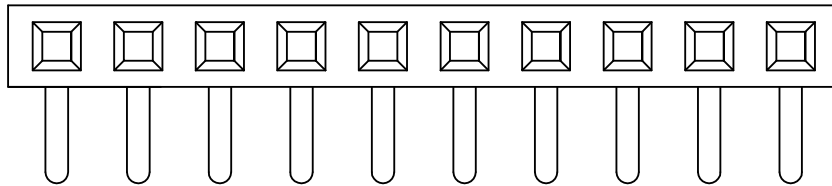
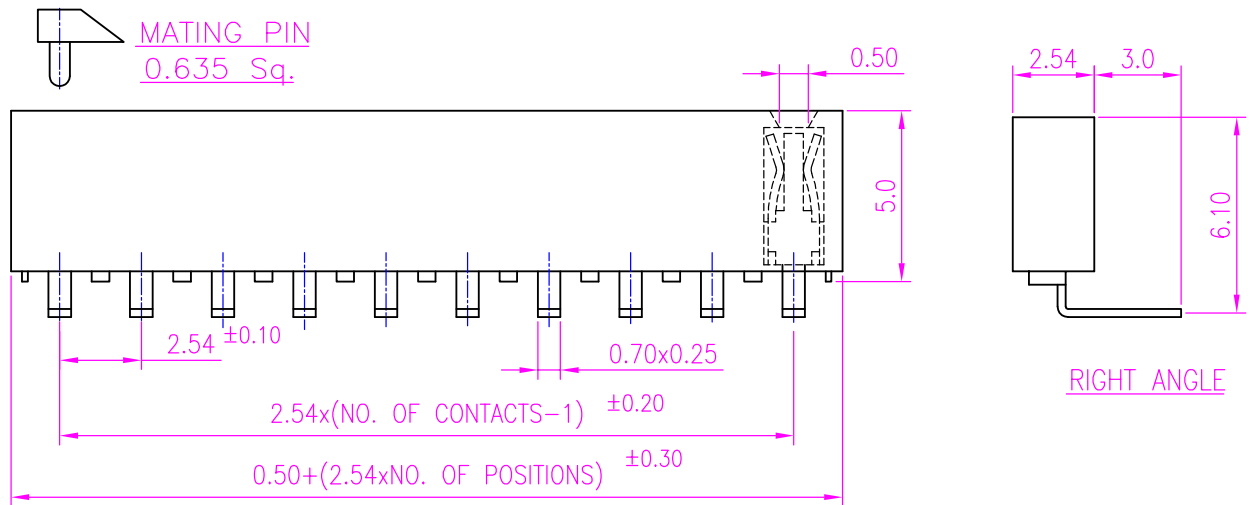
TEMPERATURE RANGE : -40°C TO +105°C
PROCESS RATING : 180°C FOR 5SEC



PROTECTRON ELECTROMECH (P) LTD

DESCRIPTION : 2.54mm PITCH FEMALE HEADER, 5mm BASE,
DUAL BEAM FOLDED CONTACT, SINGLE ROW
RIGHT ANGLE

PART NO: P9502-XX-2X
XX=NO. OF CONTACTS(3-40)
XX=TYPE OF PLATING



A	ORIGINAL	SACHIN	31.07.2003	SAVITHA	SURINDRA
REV.	DESCRIPTION	DRN. BY	DATE	CK'ED BY	APP'D BY
Projection: 		Scale: NTS	Sht. Size: A4	Gen. Tol.: ±0.20.	ALL DIMENSIONS ARE IN MM. IF UNLESS OTHERWISE SPECIFIED.



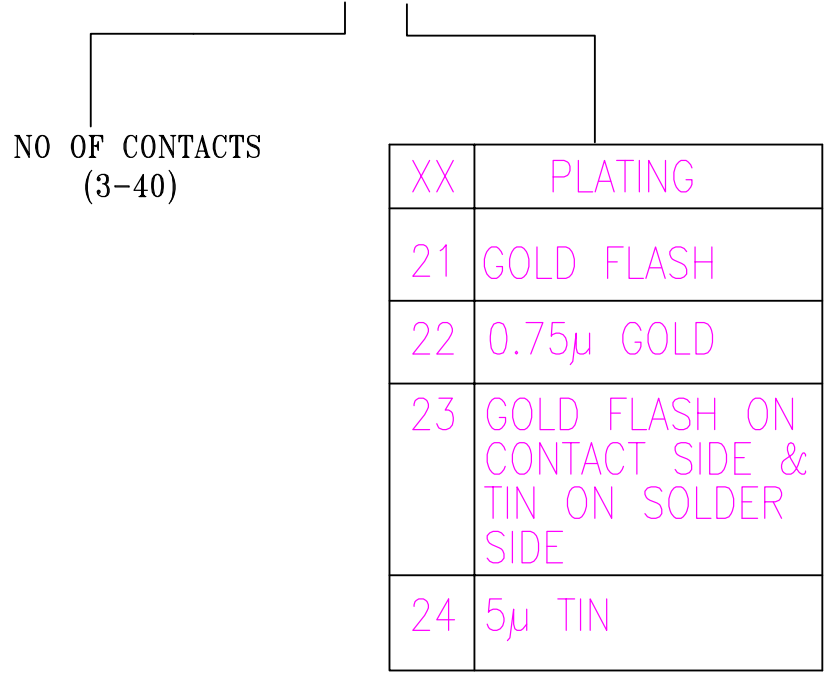
PROTECTRON ELECTROMECH (P) LTD

DESCRIPTION : 2.54mm PITCH FEMALE HEADER, 5mm BASE,
DUAL BEAM FOLDED CONTACT, SINGLE ROW
RIGHT ANGLE

PART NO: P9502-XX-2X
XX=NO. OF CONTACTS(3-40)
XX=TYPE OF PLATING

ORDERING INFORMATION

P9502-XX-2X



MATES WITH

P9101,P9102
P9107,P9109

MOQ- ----
SPQ- ----