



PROTECTRON ELECTROMECH (P) LTD

DESCRIPTION : FEMALE HEADER 1.27x2.54mm
PLASTIC HEIGHT 5.80mm SMT

PART NO:P943A-XXX-2X
XXX=NO. OF CONTACTS(6-100)
X=PLATING

RoHS



PHYSICAL

INSULATION

MATERIAL : NYLON 6T OR LCP
FLAMMABILITY : UL94V-0
COLOR : BLACK

CONTACT

MATERIAL : PHOSPHOR BRONZE
SOLDER TAILS : REFER TABLE
PACKAGING TYPE : TUBE/TRAY

ELECTRICAL

CURRENT RATING : 1A
INSULATION RESISTANCE : 5000M OHMS MIN
DIELECTRIC WITHSTANDING : 500V AC/MIN
CONTACT RESISTANCE : 30m OHMS MAX

ENVIRONMENTAL DATA

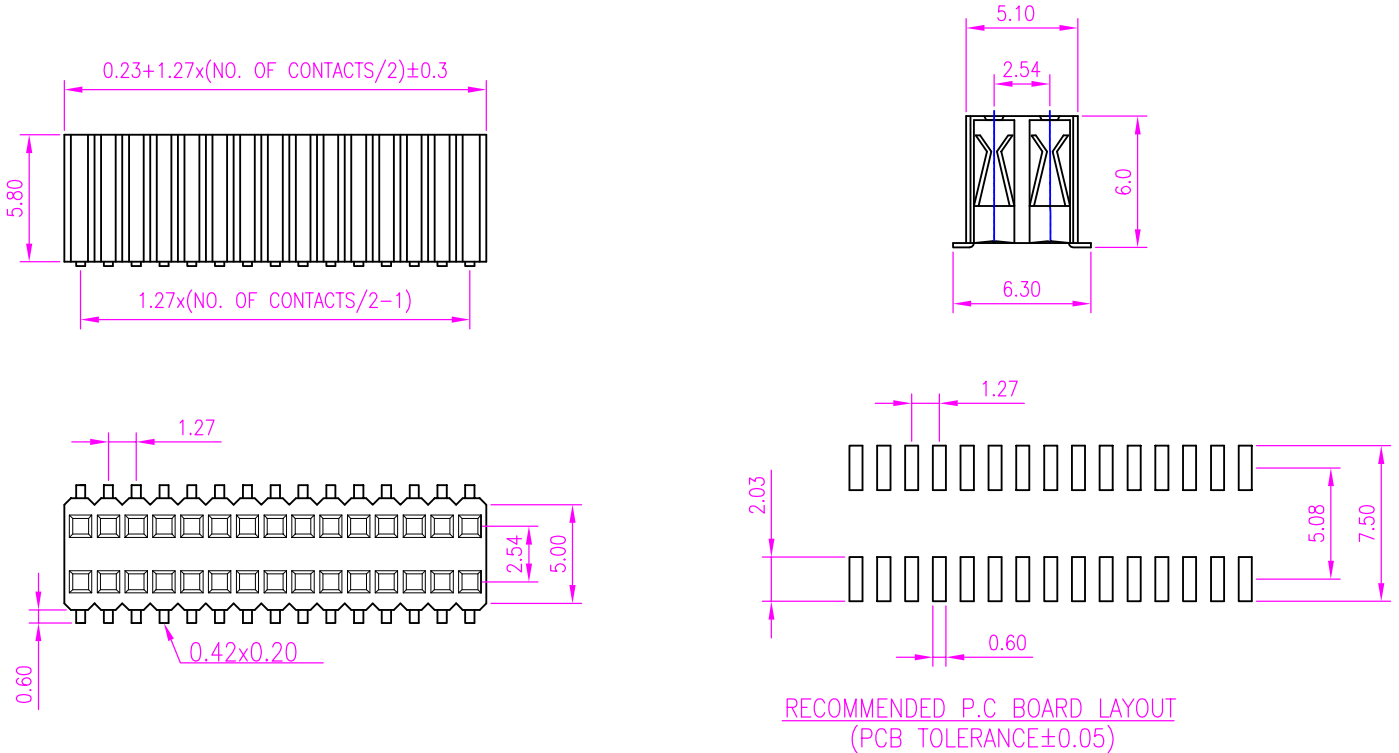
TEMPERATURE RANGE : -55°C TO +105°C
PROCESS RATING : 180°C FOR 5SEC



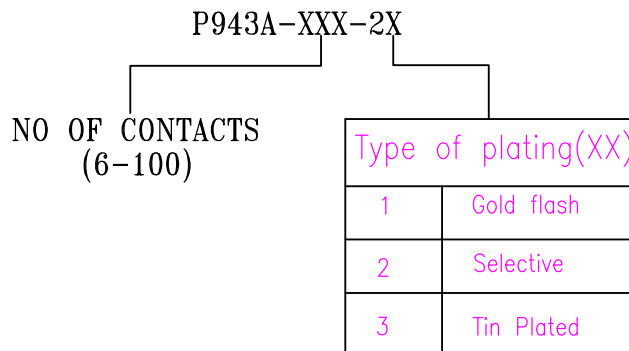
PROTECTRON ELECTROMECH (P) LTD

DESCRIPTION : FEMALE HEADER 1.27x2.54mm
PLASTIC HEIGHT 5.80mm SMT

PART NO:P943A-XXX-2X
XXX=NO. OF CONTACTS(6-100)
X=PLATING



ORDERING INFORMATION



MOQ- ----

SPQ- ----

A	ORIGINAL	SACHIN	28..08.2003		
REV.	DESCRIPTION	DRN. BY	DATE	CK'ED BY	APP'D BY

Projection: 	Scale: NTS	Sht. Size: A4	Gen. Tol.: ± 0.35 mm	ALL DIMENSIONS ARE IN MM. IF UNLESS OTHERWISE SPECIFIED.
-----------------	------------	---------------	--------------------------	---

<http://www.protectron.in>
protectron@protectron.in