



PROTECTRON ELECTROMECH (P) LTD

DESCRIPTION : IDC SOCKET 2.00x2.00 mm PITCH

PART NO: P9413IDS-XX-21
XX=NO. OF CONTACTS(60-100)

RoHS



PHYSICAL

INSULATION

MATERIAL	:	THERMOPLASTIC
FLAMMABILITY	:	UL94V-0
COLOR	:	BLACK

CONTACT

MATERIAL	:	PHOSPHOR BRONZE
SOLDER TAILS	:	GOLD PLATED
PACKAGING TYPE	:	TUBE/TRAY

ELECTRICAL

CURRENT RATING	:	1A
INSULATION RESISTANCE	:	1000M OHMS MIN
DIELECTRIC WITHSTANDING	:	500V AC/MIN
CONTACT RESISTANCE	:	30m OHMS MAX

APPLICABLE CABLE

: MATES WITH FLAT CABLE 0.635mm

ENVIRONMENTAL DATA

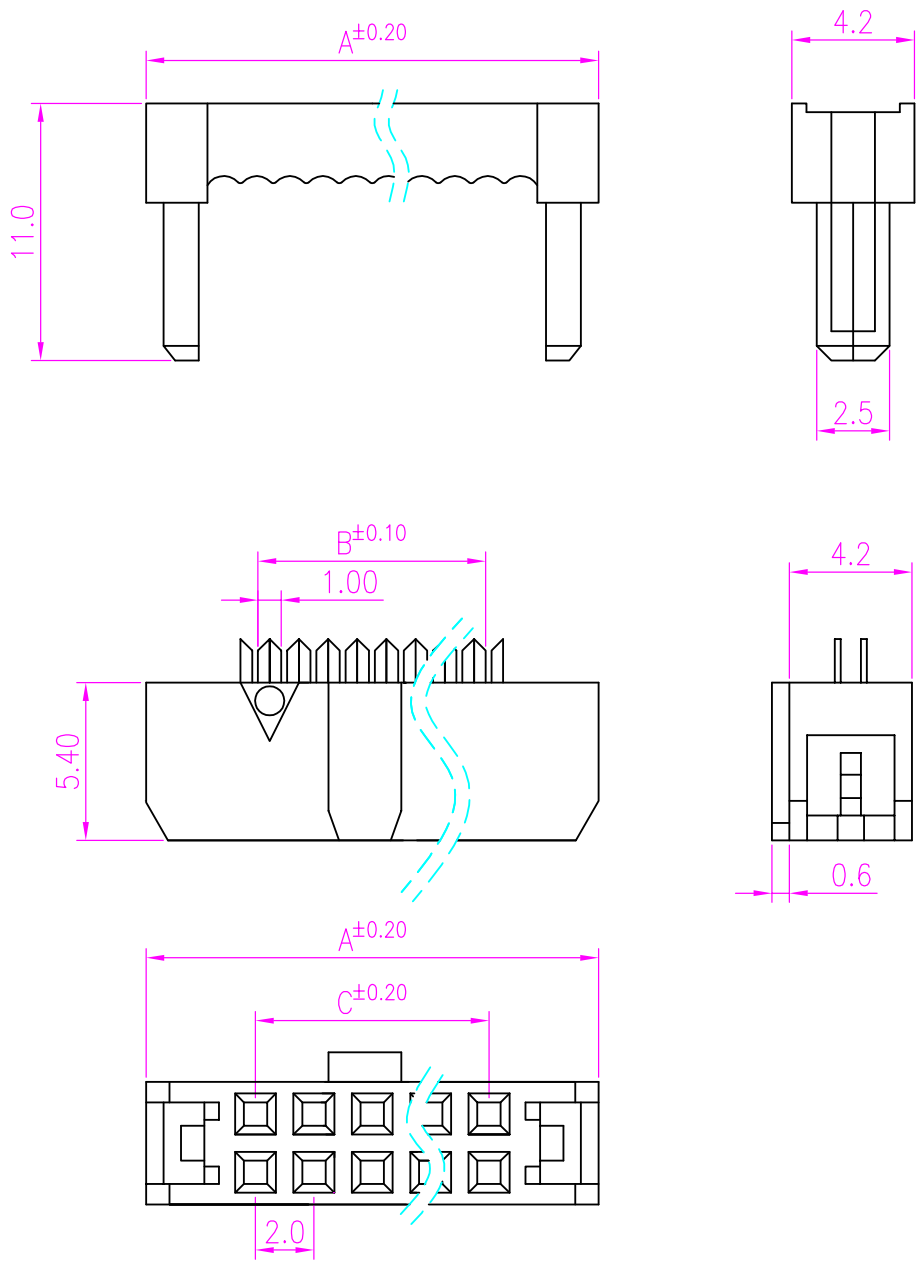
TEMPERATURE RANGE	:	-55°C TO +105°C
PROCESS RATING	:	180°C FOR 5SEC



PROTECTRON ELECTROMECH (P) LTD

DESCRIPTION : IDC SOCKET 2.00x2.00 mm PITCH

PART NO: P9413IDS-XX-21
XX=NO. OF CONTACTS(60-100)



A1	GOLD PLATING ONLY ON MATING AREA ADDED.	SACHIN	20.02.2007		
A	ORIGINAL	ARUN	19.02.2005		
REV.	DESCRIPTION	DRN. BY	DATE	CK'ED BY	APP'D BY
Projection:		Scale: NTS	Sht. Size: A4	Gen. Tol.: ±0.35mm	ALL DIMENSIONS ARE IN MM. IF UNLESS OTHERWISE SPECIFIED.



PROTECTRON ELECTROMECH (P) LTD

DESCRIPTION : IDC SOCKET 2.00x2.00 mm PITCH

PART NO: P9413IDS-XX-21
XX=NO. OF CONTACTS(60-100)

NO OF CONTACTS	DIMENSIONS		
	A	B	C
6	11.20	5.00	4.00
8	13.20	7.00	6.00
10	15.20	9.00	8.00
12	17.20	11.00	10.00
14	19.20	13.00	12.00
16	21.20	15.00	14.00
18	23.20	17.00	16.00
20	25.20	19.00	18.00
22	27.20	21.00	20.00
24	29.20	23.00	22.00
26	31.20	25.00	24.00
28	33.20	27.00	26.00
30	35.20	29.00	28.00
32	37.20	31.00	30.00
34	39.20	33.00	32.00

NO OF CONTACTS	DIMENSIONS		
	A	B	C
36	41.20	35.00	34.00
38	43.20	37.00	36.00
40	45.20	39.00	38.00
44	49.20	43.00	42.00
48	53.20	47.00	46.00
50	55.20	49.00	48.00
54	59.20	53.00	52.00
56	61.20	55.00	54.00
60	65.20	59.00	58.00
62	67.20	61.00	60.00
64	69.20	63.00	62.00
68	73.20	67.00	66.00
80	85.20	79.00	78.00
100	105.20	99.00	98.00

MATES WITH

P9913,P9914
P9613,P9614
P9615

ORDERING INFORMATION

P9413IDS-XX-21

NO OF CONTACTS
(60-100)

MOQ- ----

SPQ- ----