

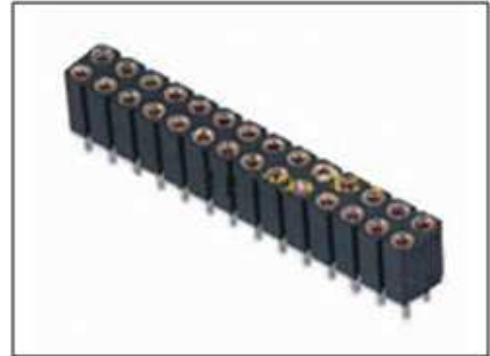


PROTECTRON ELECTROMECH (P) LTD

**DESCRIPTION : FEMALE HEADER 2.54mm PITCH,
PROFILE 7mm, DOUBLE ROW**

PART NO:P9303-XX-XX
1st XX=NO OF CONTACTS(2-72)
2nd X=TYPE OF PIN
3rd X=PLATING

RoHS



PHYSICAL

INSULATION

MATERIAL	:	GLASS FILLED THERMOPLASTIC, POLYESTER
FLAMMABILITY	:	UL94V-0
COLOR	:	BLACK
SLEEVE	:	BRASS, TIN-LEAD PLATED OVER NICKEL
CLIP	:	BERYLLIUM COPPER, GOLD PLATED
PACKAGING TYPE	:	TUBE/TRAY

ELECTRICAL

CURRENT RATING	:	3A
INSULATION RESISTANCE	:	10000M OHMS MIN
DIELECTRIC WITHSTANDING	:	1000V AC/MIN
CONTACT RESISTANCE	:	10m OHMS MAX.
VOLTAGE RATING	:	100V AC / 150V DC

ENVIRONMENTAL DATA

TYPICAL INSERTION FORCE	:	0.12 Kg. max. with Ø0.76mm pin or 0.635mm Sq pin
TYPICAL WITHDRAWAL FORCE	:	0.06 Kg. min. with Ø0.76mm pin or 0.635mm Sq pin
MECHANICAL LIFE	:	500 CYCLES Min. with Ø0.76mm pin or 0.635mm Sq pin

ENVIRONMENTAL DATA

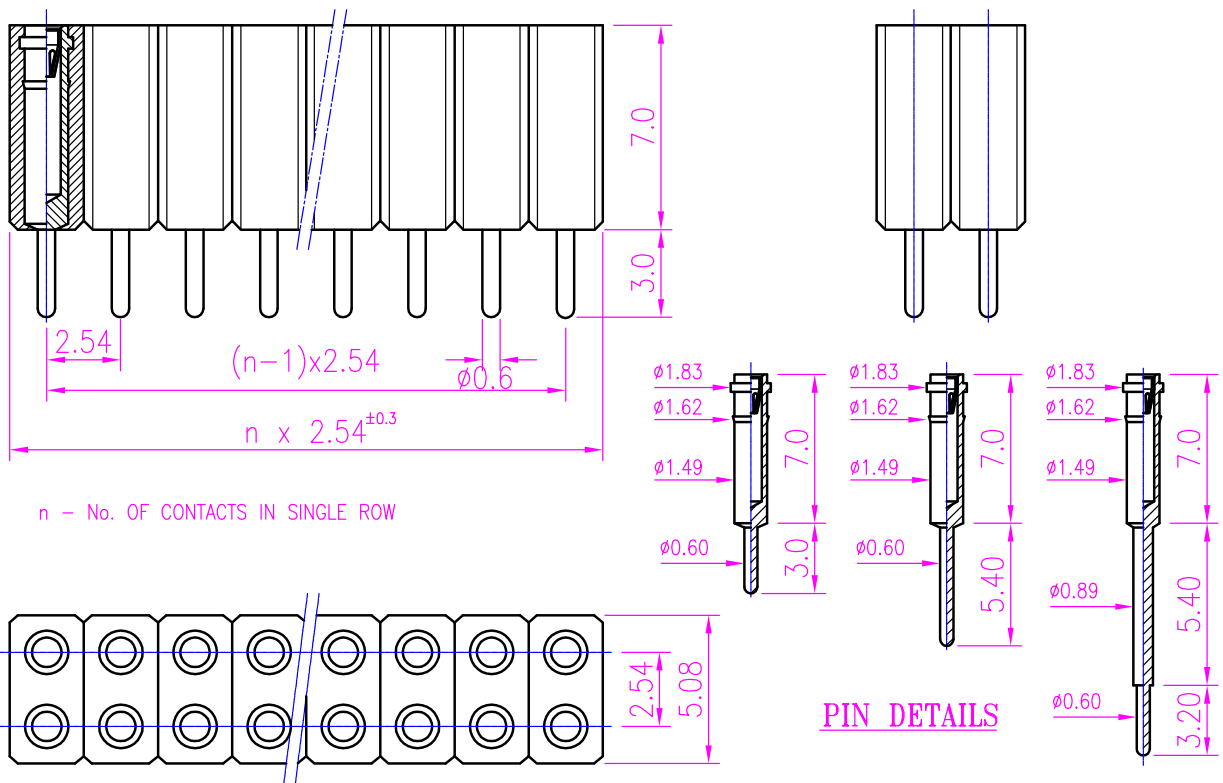
TEMPERATURE RANGE	:	-55°C TO +105°C
PROCESS RATING	:	180°C FOR 5SEC



PROTECTRON ELECTROMECH (P) LTD

**DESCRIPTION : FEMALE HEADER 2.54mm PITCH,
PROFILE 7mm, DOUBLE ROW**

PART NO: P9303-XX-XX
 1st XX=NO OF CONTACTS(2-72)
 2nd X=TYPE OF PIN
 3rd X=PLATING



A1	TOLERANCE OF TOTAL LENGTH CHANGED FROM ± 0.1 TO ± 0.3	SACHIN	05.05.2004		
A	ORIGINAL	SAMSON	23.11.2000		
REV.	DESCRIPTION	DRN. BY	DATE	CK'ED BY	APP'D BY

Projection: 	Scale: NTS	Sht. Size: A4	Gen. Tol.: ± 0.35 mm	ALL DIMENSIONS ARE IN MM. IF UNLESS OTHERWISE SPECIFIED.
-----------------	------------	---------------	--------------------------	---



PROTECTRON ELECTROMECH (P) LTD

DESCRIPTION : FEMALE HEADER 2.54mm PITCH,
PROFILE 7mm, DOUBLE ROW

PART NO: P9303-XX-XX
1st XX=NO OF CONTACTS(2-72)
2nd X=TYPE OF PIN
3rd X=PLATING

ORDERING INFORMATION

P9303-XX-XX

NO OF CONTACTS
(2-72)

TYPE OF PIN (L)	
1	PC PIN 3.0mm
2	PC PIN 5.4mm
3	PC PIN 10.4mm

PLATING		
INNER CLIP	OUTER SLEEVE	
0.25 μ Au	5 μ Sn	1
0.75 μ Au	5 μ Sn	2
5 μ Sn	5 μ Sn	3
0.75 μ Au	0.25 μ Au	4

MATES WITH

P9103,P9104
P9105,P9108

MOQ- ----

SPQ- ----