



# PROTECTRON ELECTROMECH (P) LTD

**DESCRIPTION : FEMALE HEADER 2.54mm PITCH,  
PROFILE 7mm, SINGLE ROW**

**PART NO: P9301-XX-XX**  
1st XX=NO OF CONTACTS(1-36)  
2nd X=TYPE OF PIN  
3rd X=PLATING

RoHS



## PHYSICAL

### INSULATION

MATERIAL	:	GLASS FILLED THERMOPLASTIC, POLYESTER
FLAMMABILITY	:	UL94V-0
COLOR	:	BLACK
SLEEVE	:	BRASS, TIN-LEAD PLATED OVER NICKEL
CLIP	:	BERYLLIUM COPPER, GOLD PLATED
PACKAGING TYPE	:	TUBE/TRAY

## ELECTRICAL

CURRENT RATING	:	3A
INSULATION RESISTANCE	:	10000M OHMS MIN
DIELECTRIC WITHSTANDING	:	1000V AC/MIN
CONTACT RESISTANCE	:	10m OHMS MAX.
VOLTAGE RATING	:	100V AC / 150V DC

## ENVIRONMENTAL DATA

TYPICAL INSERTION FORCE	:	0.12 Kg. max. with Ø0.76mm pin or 0.635mm Sq pin
TYPICAL WITHDRAWAL FORCE	:	0.06 Kg. min. with Ø0.76mm pin or 0.635mm Sq pin
MECHANICAL LIFE	:	500 CYCLES Min. with Ø0.76mm pin or 0.635mm Sq pin

## ENVIRONMENTAL DATA

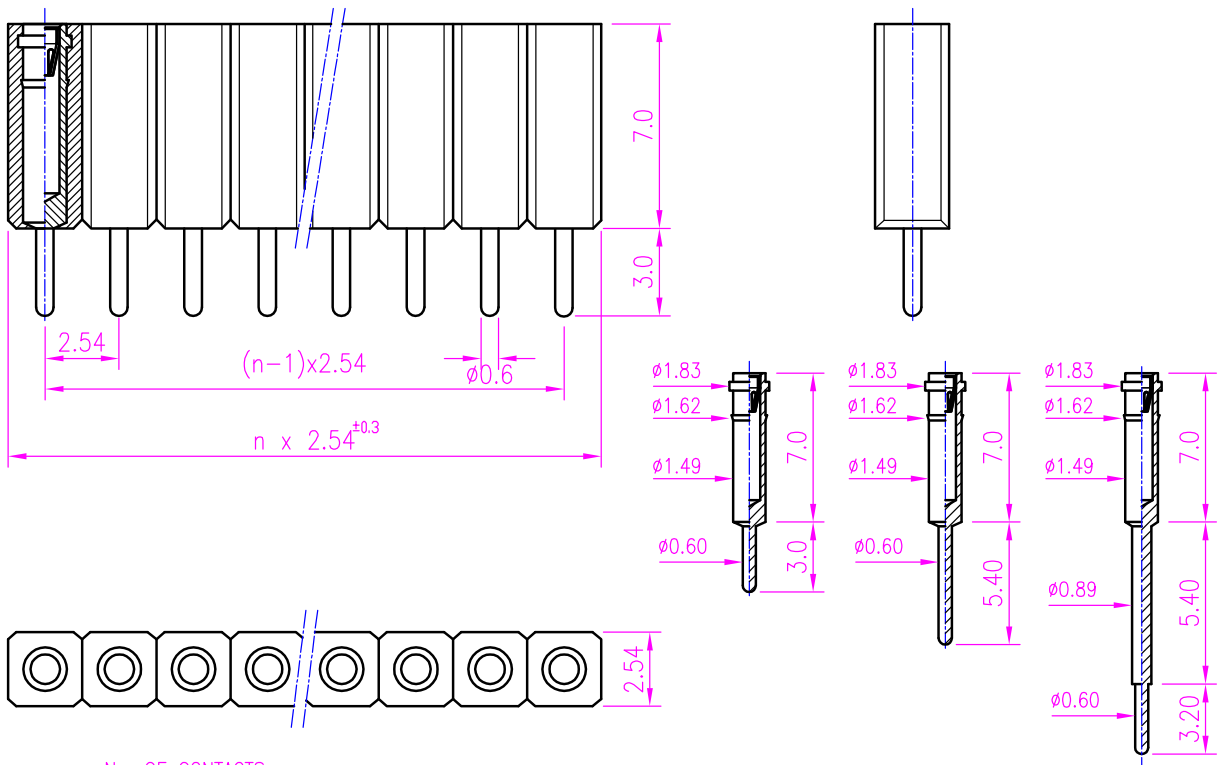
TEMPERATURE RANGE	:	-55°C TO +105°C
PROCESS RATING	:	180°C FOR 5SEC



# PROTECTRON ELECTROMECH (P) LTD

DESCRIPTION : FEMALE HEADER 2.54mm PITCH,  
PROFILE 7mm, SINGLE ROW

PART NO: P9301-XX-XX  
1st XX=NO OF CONTACTS(1-36)  
2nd X=TYPE OF PIN  
3rd X=PLATING



n - No. OF CONTACTS

PIN DETAILS

A1	TOLERANCE OF TOTAL LENGTH CHANGED FROM ±0.1 TO ±0.3	SACHIN	05.05.2004		
A	ORIGINAL	SAMSON	23.11.2000		
REV.	DESCRIPTION	DRN. BY	DATE	CK'ED BY	APP'D BY
	Projection: 	Scale: NTS	Sht. Size: A4	Gen. Tol.: ±0.3mm ±2'	ALL DIMENSIONS ARE IN MM. IF UNLESS OTHERWISE SPECIFIED.



# PROTECTRON ELECTROMECH (P) LTD

DESCRIPTION : FEMALE HEADER 2.54mm PITCH,  
PROFILE 7mm, SINGLE ROW

PART NO: P9301-XX-XX  
1st XX=NO OF CONTACTS(1-36)  
2nd X=TYPE OF PIN  
3rd X=PLATING

## ORDERING INFORMATION

P9301-XX-XX

NO OF CONTACTS  
(1-36)

TYPE OF PIN (L)	
1	PC PIN 3.0mm
2	PC PIN 5.4mm
3	PC PIN 10.4mm

PLATING		
INNER CLIP	OUTER SLEEVE	
0.25μ Au	5μ Sn	1
0.75μ Au	5μ Sn	2
5μ Sn	5μ Sn	3
0.75μ Au	0.25μ Au	4

### MATES WITH

P9101,P9102  
P9107,P9109

MOQ- ----

SPQ- ----