

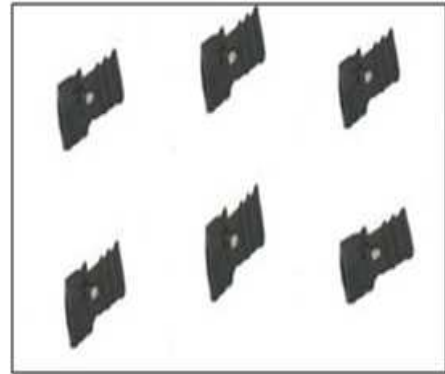


# PROTECTRON ELECTROMECH (P) LTD

DESCRIPTION : MINI JUMPER, 1.27 mm PITCH, CLOSED TYPE,  
L=5.50mm

PART NO: P9231-5X-21  
X=TYPE OF COLOR

RoHS



## PHYSICAL

### INSULATION

MATERIAL : GLASS FILLED POLYESTER  
FLAMMABILITY : UL94V-0  
COLOR : REFER TABLE

### CONTACT

MATERIAL : PHOSPHOR BRONZE  
SOLDER TAILS : GOLD PLATED  
PACKAGING TYPE : TUBE/TRAY

## ELECTRICAL

CURRENT RATING : 2A  
INSULATION RESISTANCE : 1000M OHMS MIN  
DIELECTRIC WITHSTANDING : 650V RMS AT SEA LEVEL  
CONTACT RESISTANCE : 30m OHMS MAX

## ENVIRONMENTAL DATA

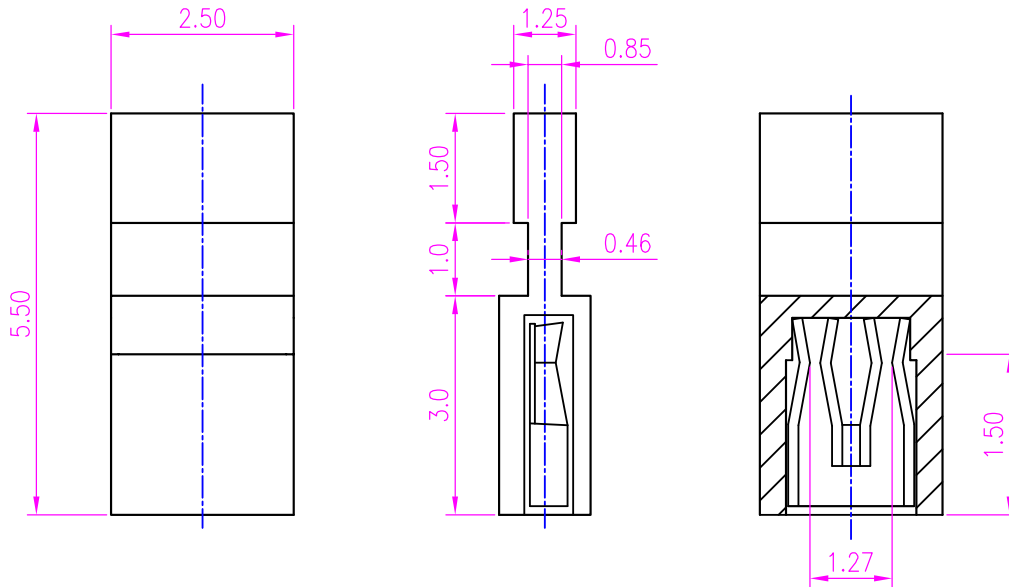
TEMPERATURE RANGE : -55°C TO +105°C



# PROTECTRON ELECTROMECH (P) LTD

DESCRIPTION : MINI JUMPER, 1.27 mm PITCH, CLOSED TYPE,  
L=5.50mm

PART NO: P9231-5X-21  
X=TYPE OF COLOR



### ORDERING INFORMATION

P9231-5X-21

TYPE OF COLOR

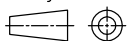
|   |        |
|---|--------|
| X | COLOUR |
| 0 | BLACK  |
| 2 | RED    |
| 4 | YELLOW |
| 6 | BLUE   |

MOQ- ----

SPQ- ----

|      |             |         |            |          |          |
|------|-------------|---------|------------|----------|----------|
| A    | ORIGINAL    | SACHIN  | 22.01.2004 | SAVITHA  | SURINDRA |
| REV. | DESCRIPTION | DRN. BY | DATE       | CK'ED BY | APP'D BY |

Projection:



Scale: NTS

Sht. Size: A4

Gen. Tol.: ±0.35mm

ALL DIMENSIONS ARE IN MM.  
IF UNLESS OTHERWISE SPECIFIED.

<http://www.protectron.in>

[protectron@protectron.in](mailto:protectron@protectron.in)