



PROTECTRON ELECTROMECH (P) LTD

DESCRIPTION : MINI JUMPER 5.08mm PITCH

PART NO:P9221-50-21

RoHS



PHYSICAL

INSULATION

MATERIAL : GLASS FILLED POLYESTER
FLAMMABILITY : UL94V-0
COLOR : BLACK

CONTACT

MATERIAL : COPPER ALLOY
CONTACT PLATING : GOLD PLATED(FLASH)
PACKAGING TYPE : TUBE/TRAY

ELECTRICAL

CURRENT RATING : 3A
INSULATION RESISTANCE : 100M OHMS MIN
DIELECTRIC WITHSTANDING : 1000V AC/MIN
CONTACT RESISTANCE : 20m OHMS MAX

ENVIRONMENTAL DATA

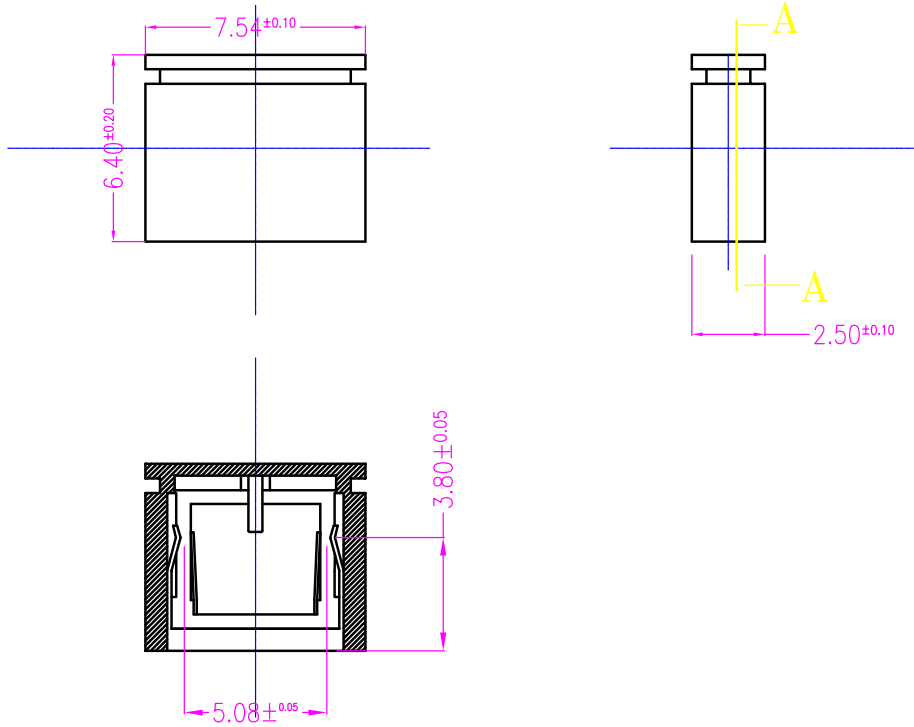
TEMPERATURE RANGE : -40°C TO +105°C



PROTECTRON ELECTROMECH (P) LTD

DESCRIPTION : MINI JUMPER 5.08mm PITCH

PART NO:P9221-50-21



MATES WITH

2.54mm PITCH
PIN HEADER

ORDERING INFORMATION

P9221-50-21

MOQ- ----

SPQ- ----

A	ORIGINAL	JJ	21.05.1999			
REV.	DESCRIPTION		DRN. BY	DATE	CK'ED BY	APP'D BY
Projection: 		Scale: NTS	Sht. Size: A4	Gen. Tol.: $\pm 0.3\text{mm}$ $\pm 2^\circ$	ALL DIMENSIONS ARE IN MM. IF UNLESS OTHERWISE SPECIFIED.	