



# PROTECTRON ELECTROMECH (P) LTD

DESCRIPTION : MINI JUMPER, 2.54 mm PITCH

PART NO:P9201-5X-21  
X=COLOR OF INSULATOR

RoHS



## PHYSICAL

INSULATION	:	
MATERIAL	:	GLASS FILLED POLYESTER
COLOR	:	BLACK
CONTACT	:	
MATERIAL	:	PHOSPHOR BRONZE
SOLDER TAILS	:	REFER TABLE
PACKAGING TYPE	:	TUBE/TRAY

## ELECTRICAL

CURRENT RATING	:	3A
INSULATION RESISTANCE	:	1000M OHMS MIN
DIELECTRIC WITHSTANDING	:	1000V AC/MIN
CONTACT RESISTANCE	:	20m OHMS MAX

## MECHANICAL DATA

INSERTION FORCE	:	4N MAX
EXTRACTION FORCE	:	0.7N MIN
MECHANICAL LIFE	:	100 CYCLES min.

## ENVIRONMENTAL DATA

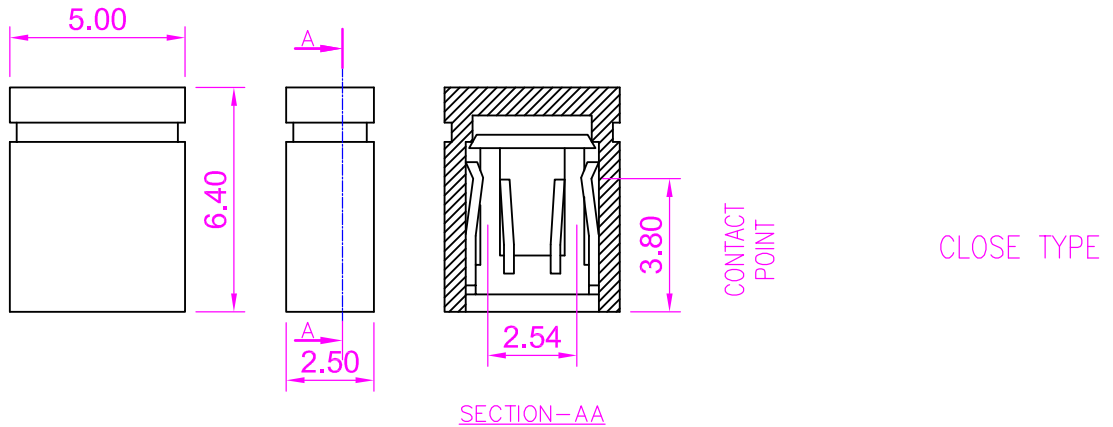
TEMPERATURE RANGE	:	-40°C TO +105°C
-------------------	---	-----------------



# PROTECTRON ELECTROMECH (P) LTD

DESCRIPTION : MINI JUMPER, 2.54 mm PITCH

PART NO:P9201-5X-21  
X=COLOR OF INSULATOR



MATES WITH

2.54mm PITCH  
PIN HEADER

### ORDERING INFORMATION

P9201-5X-21

X	COLOUR
0	BLACK
2	RED
4	YELLOW
6	BLUE

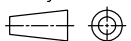
MOQ- ----

SPQ- ----

FOR DIFFERENT TYPE OF PLATING CONTACT FACTORY

A	ORIGINAL	SAMSON	07.06.2001		
REV.	DESCRIPTION	DRN. BY	DATE	CK'ED BY	APP'D BY

Projection:



Scale: NTS

Sht. Size: A4

Gen. Tol.: ±0.35mm

ALL DIMENSIONS ARE IN MM.  
IF UNLESS OTHERWISE SPECIFIED.



# PROTECTRON ELECTROMECH (P) LTD

DESCRIPTION : MINI JUMPER, 2.54 mm PITCH

PART NO:P9202-5X-2X

1st X=COLOR OF INSULATOR  
2nd X=PLATING

RoHS



## PHYSICAL

### INSULATION

MATERIAL : GLASS FILLED POLYESTER  
COLOR : BLACK

### CONTACT

MATERIAL : PHOSPHOR BRONZE  
SOLDER TAILS : REFER TABLE  
PACKAGING TYPE : TUBE/TRAY

## ELECTRICAL

CURRENT RATING : 3A  
INSULATION RESISTANCE : 1000M OHMS MIN  
DIELECTRIC WITHSTANDING : 1000V AC/MIN  
CONTACT RESISTANCE : 20m OHMS MAX

## MECHANICAL DATA

INSERTION FORCE : 4N MAX  
EXTRACTION FORCE : 0.7N MIN  
MECHANICAL LIFE : 100 CYCLES min.

## ENVIRONMENTAL DATA

TEMPERATURE RANGE : -40°C TO +105°C

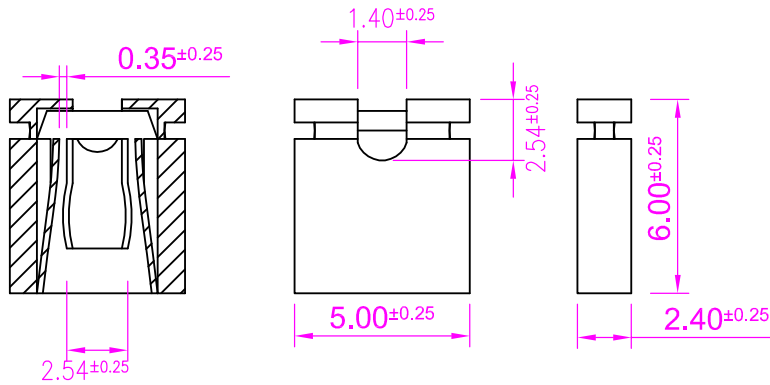


# PROTECTRON ELECTROMECH (P) LTD

DESCRIPTION : MINI JUMPER, 2.54 mm PITCH

PART NO: P9202-5X-2X

1st X=COLOR OF INSULATOR  
2nd X=PLATING



OPEN TYPE

**MATES WITH**

2.54mm PITCH  
PIN HEADER

**ORDERING INFORMATION**

P9202-5X-2X

X	COLOUR
0	BLACK
2	RED
4	YELLOW
6	BLUE

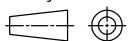
PLATING	XX
GOLD FLASH	1
0.75µGOLD	2

MOQ- ----

SPQ- ----

A	ORIGINAL	ANIL	02.05.2008		
REV.	DESCRIPTION		DRN. BY	DATE	CK'ED BY APP'D BY

Projection:



Scale: NTS

Sht. Size: A4

Gen. Tol.: ±0.35mm

ALL DIMENSIONS ARE IN MM.  
IF UNLESS OTHERWISE SPECIFIED.



# PROTECTRON ELECTROMECH (P) LTD

DESCRIPTION : MINI JUMPER, 2.54 mm PITCH

PART NO:P9203-5X-11  
X=COLOR OF INSULATOR

RoHS



## PHYSICAL

### INSULATION

MATERIAL : GLASS FILLED POLYESTER  
COLOR : BLACK

### CONTACT

MATERIAL : PHOSPHOR BRONZE  
SOLDER TAILS : REFER TABLE  
PACKAGING TYPE : TUBE/TRAY

## ELECTRICAL

CURRENT RATING : 3A  
INSULATION RESISTANCE : 1000M OHMS MIN  
DIELECTRIC WITHSTANDING : 1000V AC/MIN  
CONTACT RESISTANCE : 20m OHMS MAX

## MECHANICAL DATA

INSERTION FORCE : 4N MAX  
EXTRACTION FORCE : 0.7N MIN  
MECHANICAL LIFE : 100 CYCLES min.

## ENVIRONMENTAL DATA

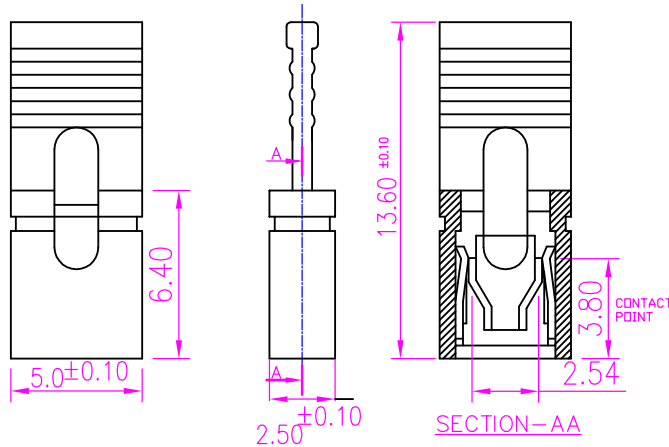
TEMPERATURE RANGE : -40°C TO +105°C



# PROTECTRON ELECTROMECH (P) LTD

DESCRIPTION : MINI JUMPER, 2.54 mm PITCH

PART NO: P9203-5X-11  
X=COLOR OF INSULATOR



LIFTING TAB

### ORDERING INFORMATION

P9203-5X-11

COLOR OF INSULATOR

XX	COLOUR
0	BLACK
2	RED
4	YELLOW
6	BLUE

MATES WITH

2.54mm PITCH  
PIN HEADER

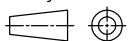
MOQ- ----

SPQ- ----

FOR DIFFERENT TYPE OF PLATING CONTACT FACTORY

A	ORIGINAL	SACHIN	14.01.2004		
REV.	DESCRIPTION	DRN. BY	DATE	CK'ED BY	APP'D BY

Projection:



Scale: NTS

Sht. Size: A4

Gen. Tol.: ±0.35mm

ALL DIMENSIONS ARE IN MM.  
IF UNLESS OTHERWISE SPECIFIED.