



# PROTECTRON ELECTROMECH (P) LTD

DESCRIPTION : PIN HEADER 1.0mm PITCH DUAL ROW STRAIGHT

PART NO:P9143-XXX66-1  
1st XXX=NO OF CONTACTS(2-100)

RoHS



## PHYSICAL

|                 |   |              |
|-----------------|---|--------------|
| INSULATION      | : |              |
| MATERIAL        | : | POLYESTER    |
| FLAMMABILITY    | : | UL94V-0      |
| COLOR           | : | BLACK        |
| CONTACT         | : |              |
| MATERIAL        | : | COPPER ALLOY |
| CONTACT PLATING | : | GOLD PLATED  |
| PACKAGING TYPE  | : | TUBE/TRAY    |

## ELECTRICAL

|                       |   |                |
|-----------------------|---|----------------|
| CURRENT RATING        | : | 1A             |
| INSULATION RESISTANCE | : | 1000M OHMS MIN |
| CONTACT RESISTANCE    | : | 20m OHMS MAX   |
| DIELECTRIC VOLTAGE    | : | 500V AC/MIN    |

## ENVIRONMENTAL DATA

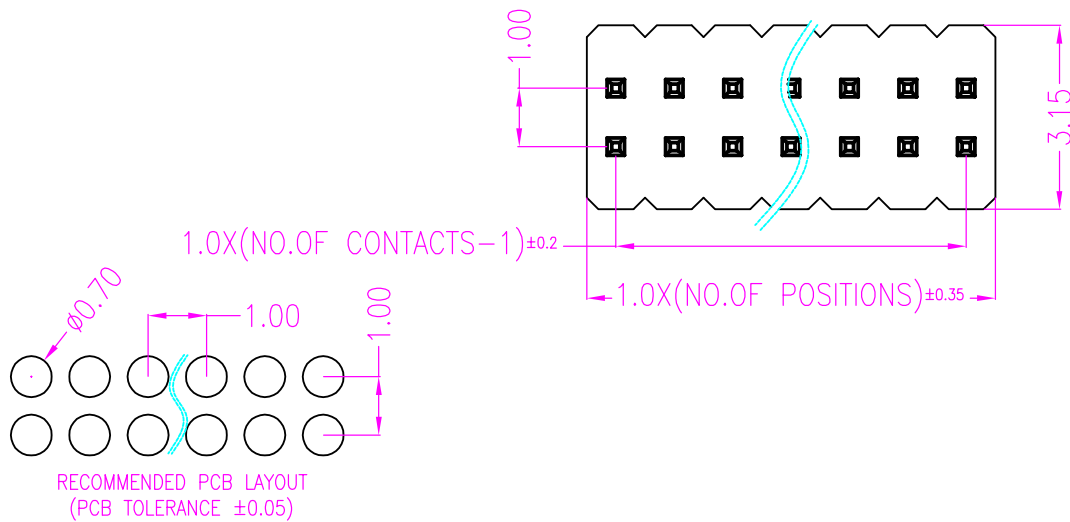
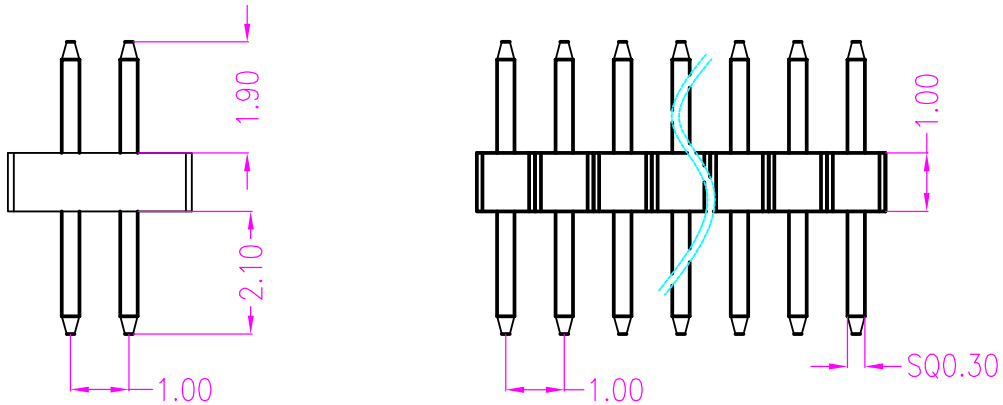
|                   |   |                 |
|-------------------|---|-----------------|
| TEMPERATURE RANGE | : | -40°C TO +105°C |
| PROCESS RATING    | : | 180°C FOR 5SEC  |



# PROTECTRON ELECTROMECH (P) LTD

DESCRIPTION : PIN HEADER 1.0mm PITCH DUAL ROW STRAIGHT

PART NO: P9143-XXX66-1  
1st XXX=NO OF CONTACTS(2-100)



MATES WITH  
P9443, P9445

### ORDERING INFORMATION

P9143-XXX66-1

NO OF CONTACTS  
(2-100)

MOQ- ----

SPQ- ----

|      |             |         |            |          |          |
|------|-------------|---------|------------|----------|----------|
| A    | ORIGINAL    | SUJATHA | 15.04.2011 |          |          |
| REV. | DESCRIPTION | DRN. BY | DATE       | CK'ED BY | APP'D BY |

|                 |            |               |                             |   |
|-----------------|------------|---------------|-----------------------------|---|
| Projection:<br> | Scale: NTS | Sht. Size: A4 | Gen. Tol.: ±0.25mm<br>±0.2° | ALL DIMENSIONS ARE IN MM.<br>IF UNLESS OTHERWISE SPECIFIED. |
|-----------------|------------|---------------|-----------------------------|---|