



PROTECTRON ELECTROMECH (P) LTD

DESCRIPTION : PIN HEADER 1.27mm PITCH, STRAIGHT,

PART NO: P913XXXXXXX-X
(SEE TABLE)

RoHS



PHYSICAL

INSULATION

MATERIAL	:	POLYESTER
FLAMMABILITY	:	UL94V-0
COLOR	:	BLACK

CONTACT

MATERIAL	:	COPPER ALLOY
SOLDER TAILS	:	GOLD PLATED
PACKAGING TYPE	:	TUBE/TRAY

ELECTRICAL

CURRENT RATING	:	1A
INSULATION RESISTANCE	:	5000M OHMS MIN
DIELECTRIC WITHSTANDING	:	500V AC

ENVIRONMENTAL DATA

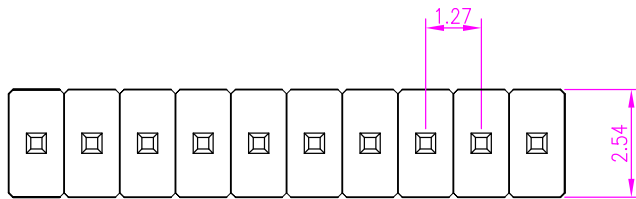
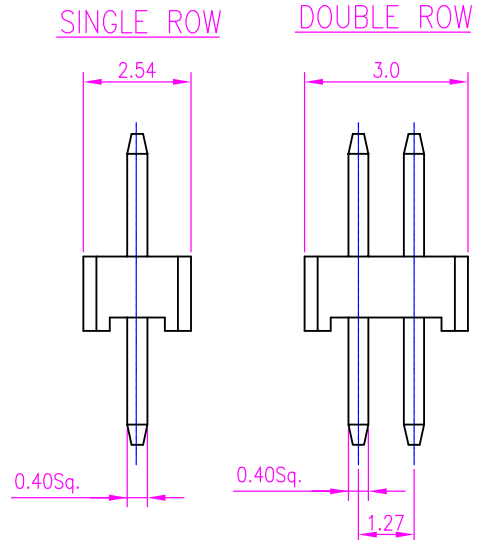
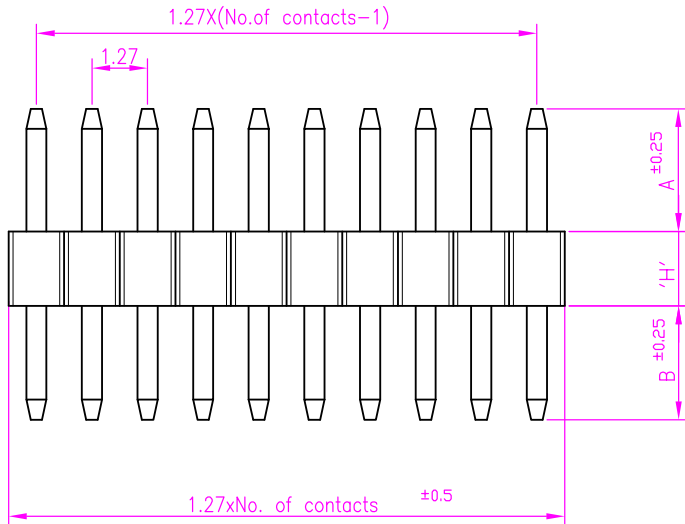
TEMPERATURE RANGE	:	-40°C TO +105°C
PROCESS RATING	:	180°C FOR 5SEC



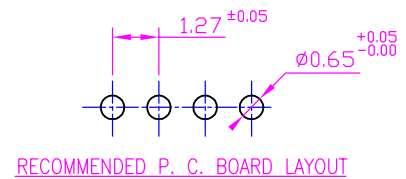
PROTECTRON ELECTROMECH (P) LTD

DESCRIPTION : PIN HEADER 1.27mm PITCH, STRAIGHT,

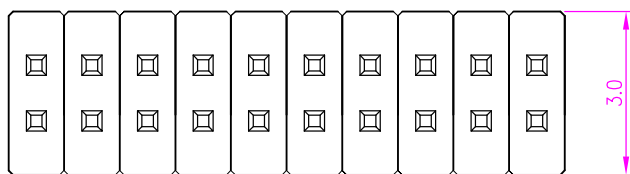
PART NO: P913XXXXXX-X
(SEE TABLE)



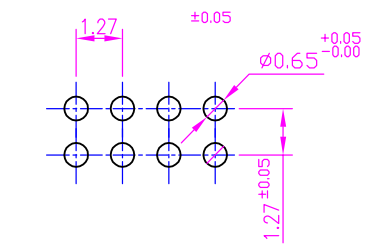
SINGLE ROW



RECOMMENDED P. C. BOARD LAYOUT



DOUBLE ROW



RECOMMENDED P. C. BOARD LAYOUT

A1	TOLERANCE ADDED	KEERTHI	30.09.2011		
A	ORIGINAL	SACHIN	26.02.2004		
REV.	DESCRIPTION	DRN. BY	DATE	CK'ED BY	APP'D BY



Scale: NTS

Sht. Size: A4

Gen. Tol.: ±0.2mm
±1°

ALL DIMENSIONS ARE IN MM.
IF UNLESS OTHERWISE SPECIFIED.



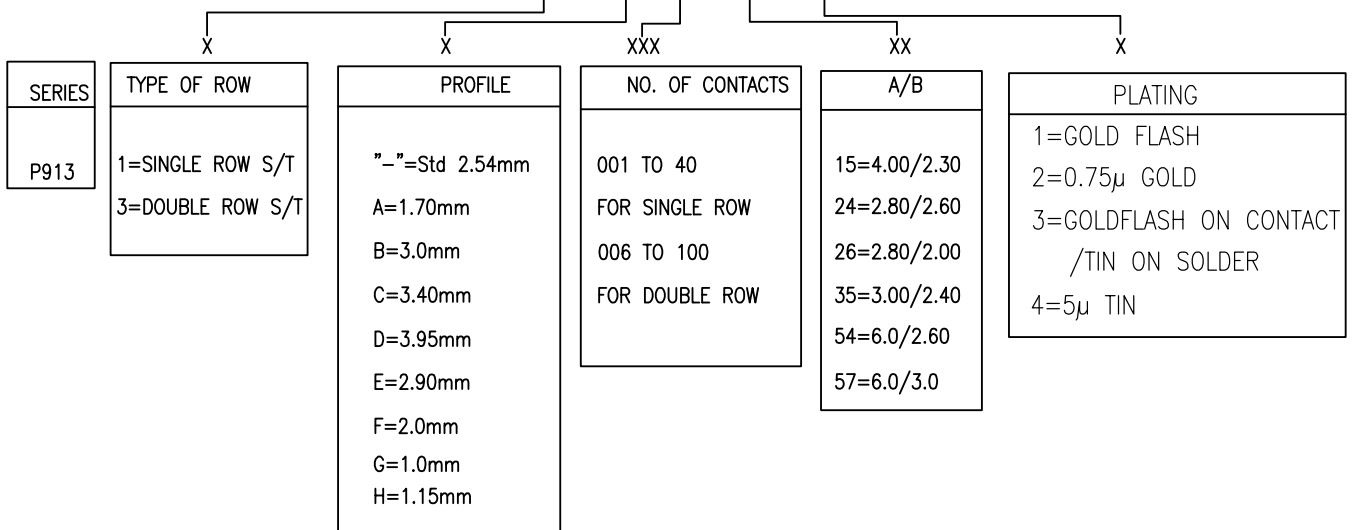
PROTECTRON ELECTROMECH (P) LTD

DESCRIPTION : PIN HEADER 1.27mm PITCH, STRAIGHT,

PART NO: P913XXXXXXX-X
(SEE TABLE)

ORDERING INFORMATION

P913XXXXXXX-X



MATES WITH

P9433,P9435

MOQ- ----

SPQ- ----