

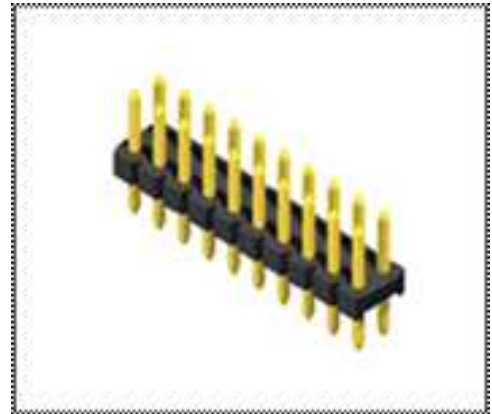


# PROTECTRON ELECTROMECH (P) LTD

DESCRIPTION : PIN HEADER, 2.0mm PITCH, DOUBLE ROW,

PART NO: P9113AXX-A/B-1  
XX=NO. OF CONTACTS (2-80NOS.)  
A/B=ABOVE BELOW LENGTH

RoHS



## PHYSICAL

### INSULATION

MATERIAL : POLYESTER  
FLAMMABILITY : UL94V-0  
COLOR : BLACK

### CONTACT

MATERIAL : COPPER ALLOY  
SOLDER TAILS : GOLD PLATED  
PACKAGING TYPE : TUBE/TRAY

## ELECTRICAL

CURRENT RATING : 1A  
INSULATION RESISTANCE : 5000M OHMS MIN  
DIELECTRIC WITHSTANDING : 500V AC

## MECHANICAL DATA

PIN RETENTION FORCE : 8N AVERAGE(0.8kg)

## ENVIRONMENTAL DATA

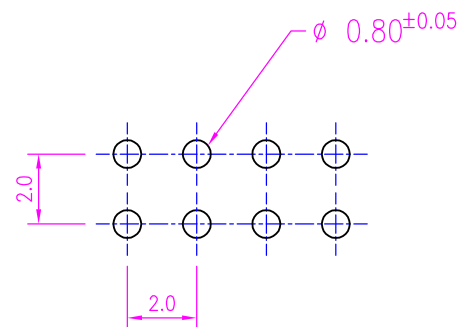
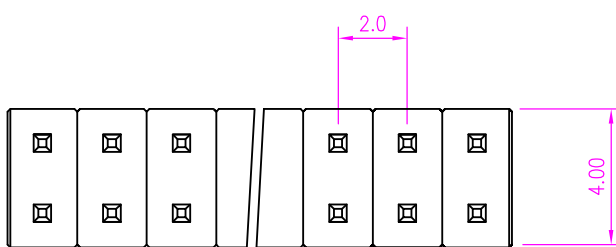
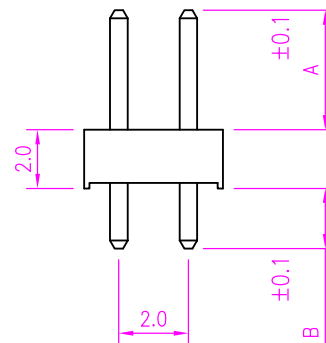
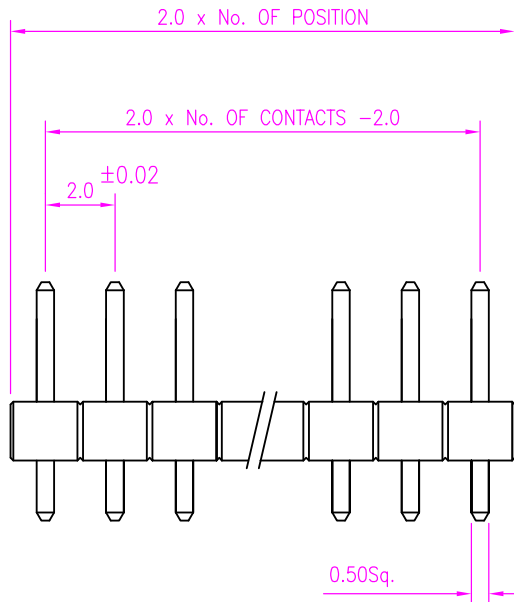
TEMPERATURE RANGE : -40°C TO +105°C  
PROCESS RATING : 180°C FOR 5SEC



# PROTECTRON ELECTROMECH (P) LTD

DESCRIPTION : PIN HEADER, 2.0mm PITCH, DOUBLE ROW,

PART NO: P9113AXX-A/B-1  
 XX=NO. OF CONTACTS (2-80NOS.)  
 A/B=ABOVE BELOW LENGTH



RECOMMENDED P.C.B. LAYOUT

A	ORIGINAL	ARUN	25.12.2004		
REV.	DESCRIPTION	DRN BY	DATE	CKED BY	APP'D BY
Projection: 		Scale: NTS	Sht. Size: A4	Gen. Tol.: ±0.35mm	ALL DIMENSIONS ARE IN MM. IF UNLESS OTHERWISE SPECIFIED.



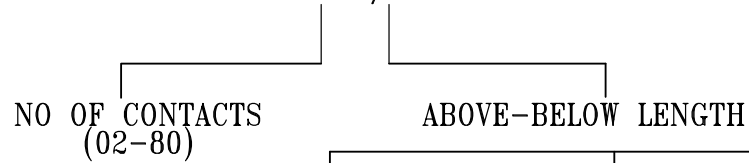
# PROTECTRON ELECTROMECH (P) LTD

DESCRIPTION : PIN HEADER, 2.0mm PITCH, DOUBLE ROW,

PART NO: P9113AXX-A/B-1  
XX=NO. OF CONTACTS (2-80NOS.)  
A/B=ABOVE BELOW LENGTH

### ORDERING INFORMATION

P9113AXX-A/B-1



A/B	DIMENSION
01	3.2/2.8
02	3.2/3.5
03	4.0/13.5
11	4.0/2.8
15	4.0/2.4
25	2.8/2.4

MATES WITH

P9113H/ P911XT

MOQ- ----

SPQ- ----