



PROTECTRON ELECTROMECH (P) LTD

DESCRIPTION : RECEPTACLE HOUSING FOR 2.0mm PITCH
CONNECTOR(CRIMP TYPE) SINGLE ROW

PART NO: P9111H50-00XX
XX=NO. OF CONTACTS(2-40)

RoHS



PHYSICAL

INSULATION

MATERIAL : PBT
FLAMMABILITY : UL94V-2
COLOR : BLACK
PACKAGING TYPE : TUBE/TRAY

ELECTRICAL

CURRENT RATING : 1A AC/DC
INSULATION RESISTANCE : 1000M OHMS MIN
DIELECTRIC WITHSTANDING : 1000V AC/MIN
CONTACT RESISTANCE : 20m OHMS MAX
VOLTAGE RATING : 125V AC/DC

ENVIRONMENTAL DATA

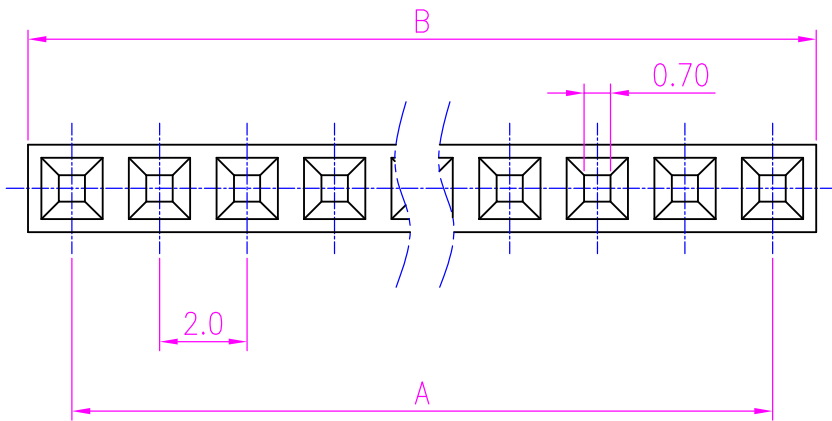
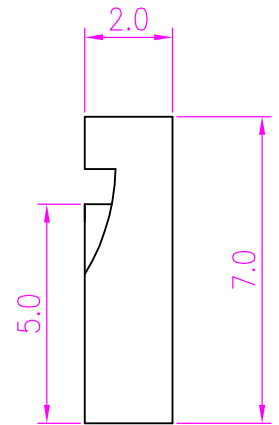
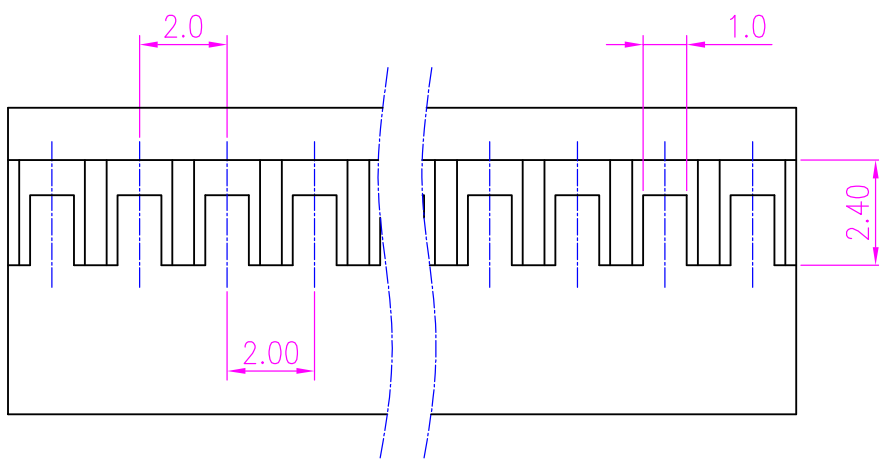
TEMPERATURE RANGE : -25°C TO +125°C



PROTECTRON ELECTROMECH (P) LTD

DESCRIPTION : RECEPTACLE HOUSING FOR 2.0mm PITCH
CONNECTOR(CRIMP TYPE) SINGLE ROW

PART NO: P9111H50-00XX
XX=NO. OF CONTACTS(2-40)



A	ORIGINAL		SANDHYA	29.05.2006		
REV.	DESCRIPTION			DRN BY	DATE	APP'D BY
Projection: 		Scale: NTS	Sht. Size: A4	Gen. Tol.: ±0.35mm	ALL DIMENSIONS ARE IN MM. IF UNLESS OTHERWISE SPECIFIED.	



PROTECTRON ELECTROMECH (P) LTD

DESCRIPTION : RECEPTACLE HOUSING FOR 2.0mm PITCH
CONNECTOR(CRIMP TYPE) SINGLE ROW

PART NO: P9111H50-00XX
XX=NO. OF CONTACTS(2-40)

ORDERING INFORMATION

P9111H50-00XX

NO OF CONTACTS
(2-40)

NO. OF WAYS	DIMENSION		PART NUMBER	NO. OF WAYS	DIMENSION		PART NUMBER
	A	B			A	B	
2	2.0	4.0	P9111H50-0002	21	40.0	42.0	P9111H50-0021
3	4.0	6.0	P9111H50-0003	22	42.0	44.0	P9111H50-0022
4	6.0	8.0	P9111H50-0004	23	44.0	46.0	P9111H50-0023
5	8.0	10.0	P9111H50-0005	24	46.0	48.0	P9111H50-0024
6	10.0	12.0	P9111H50-0006	25	48.0	50.0	P9111H50-0025
7	12.0	14.0	P9111H50-0007	26	50.0	52.0	P9111H50-0026
8	14.0	16.0	P9111H50-0008	27	52.0	54.0	P9111H50-0027
9	16.0	18.0	P9111H50-0009	28	54.0	56.0	P9111H50-0028
10	18.0	20.0	P9111H50-0010	29	56.0	58.0	P9111H50-0029
11	20.0	22.0	P9111H50-0011	30	58.0	60.0	P9111H50-0030
12	22.0	24.0	P9111H50-0012	31	60.0	62.0	P9111H50-0031
13	24.0	26.0	P9111H50-0013	32	62.0	64.0	P9111H50-0032
14	26.0	28.0	P9111H50-0014	33	64.0	66.0	P9111H50-0033
15	28.0	30.0	P9111H50-0015	34	66.0	68.0	P9111H50-0034
16	30.0	32.0	P9111H50-0016	35	68.0	70.0	P9111H50-0035
17	32.0	34.0	P9111H50-0017	36	70.0	72.0	P9111H50-0036
18	34.0	36.0	P9111H50-0018	37	72.0	74.0	P9111H50-0037
19	36.0	38.0	P9111H50-0019	38	74.0	76.0	P9111H50-0038
20	38.0	40.0	P9111H50-0020	39	76.0	78.0	P9111H50-0039
				40	78.0	80.0	P9111H50-0040

MATES WITH

P911XT SERIES
P911 SERIES

MOQ- ----

SPQ- ----