



# PROTECTRON ELECTROMECH (P) LTD

DESCRIPTION : PIN HEADER 2.54mm PITCH, DUAL ROW,  
SURFACE MOUNT

PART NO:P9105-XX-11-1  
1st XX=NO OF CONTACTS(2-80)

RoHS



## PHYSICAL

### INSULATION

MATERIAL : GLASS FILLED POLYESTER  
FLAMMABILITY : UL94V-0  
COLOR : BLACK

### CONTACT

MATERIAL : COPPER ALLOY  
SOLDER TAILS : GOLD PLATING  
PACKAGING TYPE : TUBE/TRAY

## ELECTRICAL

CURRENT RATING : 5A  
INSULATION RESISTANCE : 10000M OHMS MIN  
DIELECTRIC WITHSTANDING : 2000V AC/MIN

## MECHANICAL DATA

PIN RETENTION FORCE : 1 Kg. MIN.

## ENVIRONMENTAL DATA

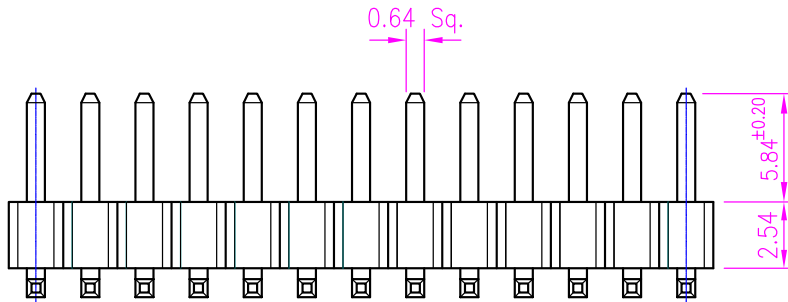
TEMPERATURE RANGE : -40°C TO +105°C  
PROCESS RATING : 180°C FOR 5SEC



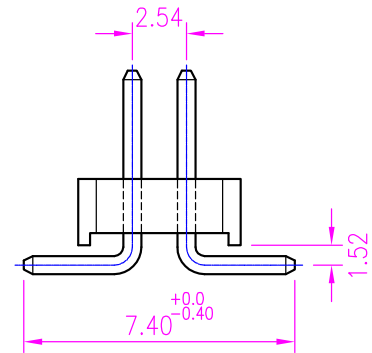
# PROTECTRON ELECTROMECH (P) LTD

DESCRIPTION : PIN HEADER 2.54mm PITCH, DUAL ROW,  
SURFACE MOUNT

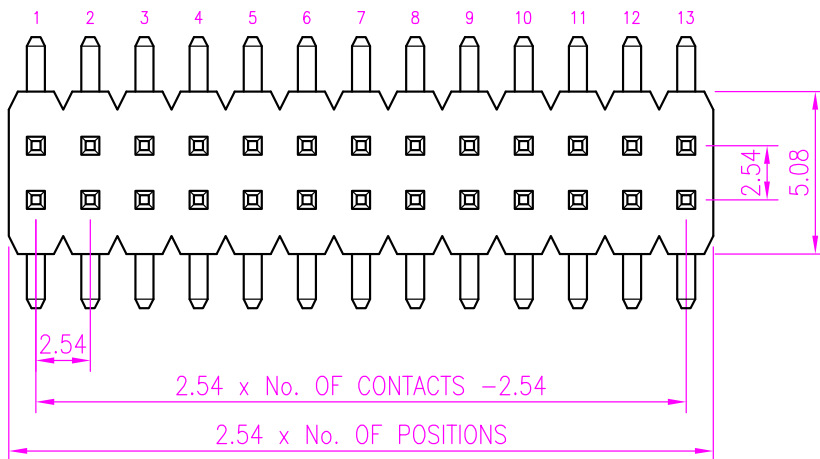
PART NO: P9105-XX-11-1  
1st XX=NO OF CONTACTS(2-80)



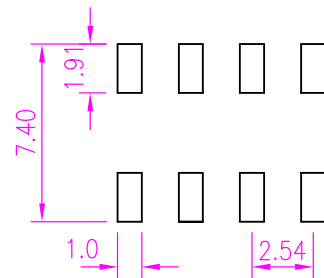
FRONT VIEW



SIDE VIEW



PLAN



RECOMMENDED P.C.B LAYOUT

**MATES WITH**

P9403,P9404,P9403A  
P9404A,P9503,P9410  
P9405,P9403I,P9303I  
P9306

ORDERING INFORMATION

P9105-XX-11-1

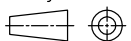
NO OF CONTACTS  
(2-80)

MOQ- ----

SPQ- ----

A	ORIGINAL	SACHIN	14.02.2004		
REV.	DESCRIPTION		DRN. BY	DATE	CK'ED BY

Projection:



Scale: NTS

Sht. Size: A4

Gen. Tol.: ±0.3mm  
±2°

ALL DIMENSIONS ARE IN MM.  
IF UNLESS OTHERWISE SPECIFIED.