



PROTECTRON ELECTROMECH (P) LTD

DESCRIPTION : PIN HEADER, 2.54mm PITCH, DUAL ROW STRAIGHT

PART NO: P9103-XX-XX-X
1st XX=NO OF CONTACTS(2-80)
2nd XX=ABOVE/BELOW LENGTH
3rd X=PLATING

RoHS



PHYSICAL

INSULATION	:	
MATERIAL	:	GLASS FILLED POLYESTER
FLAMMABILITY	:	UL94V-0
COLOR	:	BLACK
CONTACT	:	
MATERIAL	:	COPPER ALLOY
SOLDER TAILS	:	REFER TABLE
PACKAGING TYPE	:	TUBE/TRAY

ELECTRICAL

CURRENT RATING	:	5A
INSULATION RESISTANCE	:	10000M OHMS MIN
DIELECTRIC WITHSTANDING	:	2000V AC/MIN

MECHANICAL DATA

PIN RETENTION FORCE	:	1kg. MIN
---------------------	---	----------

ENVIRONMENTAL DATA

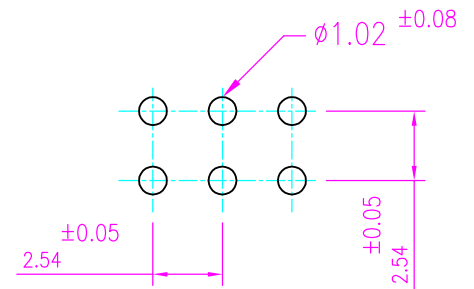
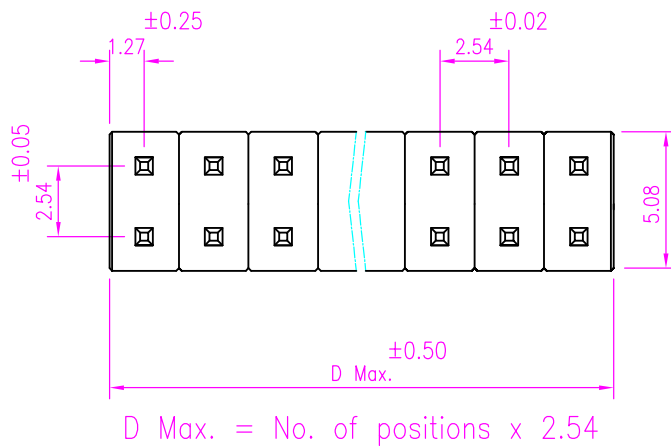
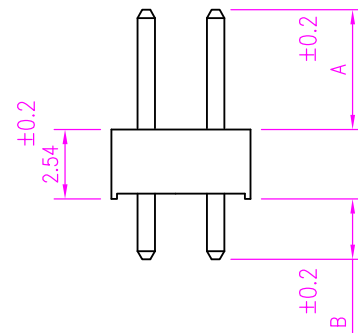
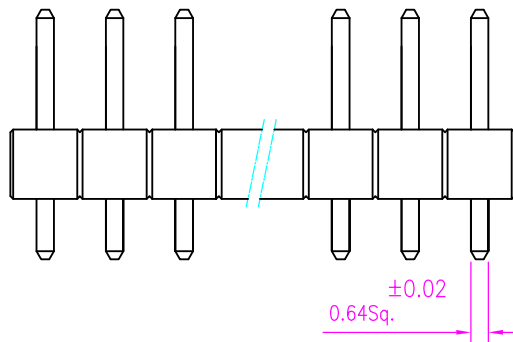
TEMPERATURE RANGE	:	-40°C TO +105°C
PROCESS RATING	:	180°C FOR 5SEC



PROTECTRON ELECTROMECH (P) LTD

DESCRIPTION : PIN HEADER, 2.54mm PITCH, DUAL ROW STRAIGHT

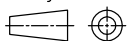
PART NO: P9103-XX-XX-X
 1st XX=NO OF CONTACTS(2-80)
 2nd XX=ABOVE/BELOW LENGTH
 3rd X=PLATING



RECOMMENDED P.C.B. LAYOUT

A5	OPTIONS 'D5' to 'F5' ADDED TO TABLE A, 'B4' to 'C6' ADDED TO B	SACHIN	05.10.2010		V.RAMANI
A4	OPTIONS 'C6' to 'D4' ADDED TO TABLE A, 'A9' to 'B3' ADDED TO B	SACHIN	05.03.2008		SURINDRA
A3	TOLERANCES ADDED	SACHIN	24.08.2007		SURINDRA
A2	X=PLATING OPTIONS 8 & 9 ADDED, OPTION 5 & 6 CORRECTED AS REQUIRED.	SACHIN	10.04.2006		SURINDRA
A1	OPTIONS 'T' to 'A4' ADDED TO TABLE A, 'J' to 'Q' ADDED TO B & SHEET 2 OF 2 INCLUDED	SAMSON	15.02.2002		SURINDRA
A	ORIGINAL	SAMSON	14.12.2000		SURINDRA
REV.	DESCRIPTION	DRN. BY	DATE	CK'ED BY	APP'D BY

Projection:



Scale: NTS

Sht. Size: A4

Gen. Tol.: ±0.35mm

ALL DIMENSIONS ARE IN MM.
IF UNLESS OTHERWISE SPECIFIED.

<http://www.protectron.in>

protectron@protectron.in



PROTECTRON ELECTROMECH (P) LTD

DESCRIPTION : PIN HEADER, 2.54mm PITCH, DUAL ROW
STRAIGHT

PART NO: P9103-XX-XX-X
1st XX=NO OF CONTACTS(2-80)
2nd XX=ABOVE/BELOW LENGTH
3rd X=PLATING

A ± 0.2		B ± 0.2	
ABOVE LENGTH		BELOW LENGTH	
1	5.84	1	2.80
2	6.06	2	3.00
3	6.80	3	3.60
4	7.06	4	4.90
5	10.50	5	3.20
6	15.90	6	3.80
7	7.50	7	2.60
8	15.50	8	5.20
9	3.30	9	6.20
A	2.80	A	2.20
B	23.90	B	7.50
C	9.00	C	10.00
D	4.90	D	4.50
E	2.60	E	6.80
F	8.80	F	15.00
G	16.20	G	9.40
H	6.60	H	2.54
I	8.07	I	21.60
J	3.80	J	5.00
K	17.50	K	17.00
L	13.20	L	7.00
M	19.10	M	4.30
N	9.40	N	12.50
P	14.10	O	2.40
Q	5.60	P	1.20
R	12.50	Q	5.84
S	12.16	R	3.46
T	19.80	S	2.30
U	8.50	T	4.70
V	4.70	U	7.13
W	6.20	V	8.00
X	7.20	W	8.50
Y	12.80	X	5.50
Z	6.45	Y	12.70
A0	3.00	Z	1.80
A1	4.00	A0	6.50
A2	7.70	A1	3.90
A3	3.60	A2	11.00

A ± 0.2		B ± 0.2	
ABOVE LENGTH		BELOW LENGTH	
A4	5.20	A3	16.50
A5	19.60	A4	10.41
A6	4.40	A5	10.16
A7	9.93	A6	5.72
A8	15.00	A7	0
A9	18.10	A8	11.74
B1	12.00	A9	7.73
B2	13.80	B0	4.00
B3	5.08	B1	19.50
B4	11.60	B2	8.86
B5	29.60	B3	12.00
B6	24.60	B4	0.8
B7	11.40	B5	2.0
B8	10.16	B6	13.7
B9	3.46	B7	14.0
C1	11.80	B8	2.9
C2	1.50	B9	14.7
C3	25.90	C0	7.3
C4	14.50	C1	2.75
C5	29.30	C2	16.3
C6	19.26	C3	1.5
C7	12.92	C4	14.27
C8	8.2 $\begin{smallmatrix} +0.3 \\ -0.1 \end{smallmatrix}$	C5	8.6
C9	9.65	C6	14.9
D1	4.8		
D2	0.8		
D3	13.00		
D4	11.00		
D5	17.36		
D6	27.46		
D7	13.46		
D8	0.0		
D9	15.74		
E0	2.0		
E1	10.3		
E2	4.2/4.3		
E3	2.2/2.3		
E4	0.5		



PROTECTRON ELECTROMECH (P) LTD

DESCRIPTION : PIN HEADER, 2.54mm PITCH, DUAL ROW STRAIGHT

PART NO: P9103-XX-XX-X
1st XX=NO OF CONTACTS(2-80)
2nd XX=ABOVE/BELOW LENGTH
3rd X=PLATING

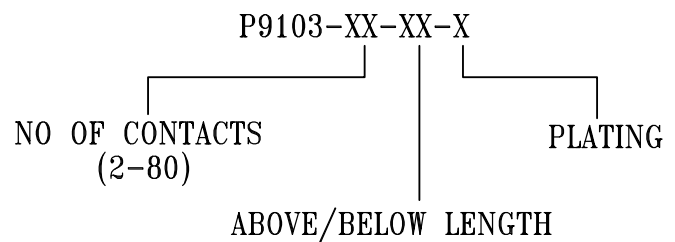
A ±0.2		B ±0.2
ABOVE LENGTH		BELOW LENGTH
E5	2.9	
E6	18.6	
E7	3.4	
E8	28.45	
E9	14.70	
F0	4.62	
F1	17.85	
F2	10.80	
F3	12.30	
F4	20.41	
F5	2.45	

TYPE OF PLATING(X)	
1	GOLD FLASH
2	0.75µ Au
3	1.27µ Au
4	5µ Sn
5	0.75µ SELECTIVE GOLD
6	SELECTIVE GOLD FLASH
8	0.25µ GOLD
9	0.381µ GOLD

MATES WITH

P9403,P9404,P9403A
P9404A,P9503,P9410
P9405,P9403I,P9303I
P9306

ORDERING INFORMATION



MOQ- ----
SPQ- ----