

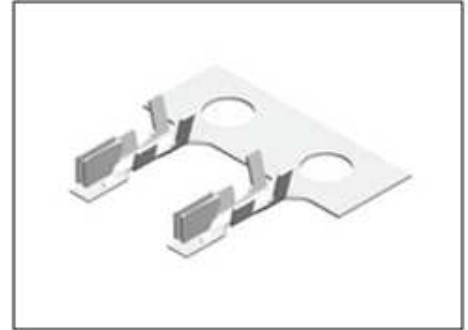


# PROTECTRON ELECTROMECH (P) LTD

DESCRIPTION : CRIMP TERMINAL FOR 1mm PTICH HOUSING

PART NO:P9077T00-29

RoHS



## PHYSICAL

### MATERIAL

TERMINAL

: PHOSPHORBRONZE, TIN PLATED

### PACKAGING TYPE

: BULK PACKING

## ORDERING INFORMATION

P9077T00-29

### MATES WITH

APPLICABLE WIRE:

28-32AWG

ASSOCIATED CONNECTORS:

HEADER - P9077S/P9077R

HOUSING - P9077H

MOQ- -----

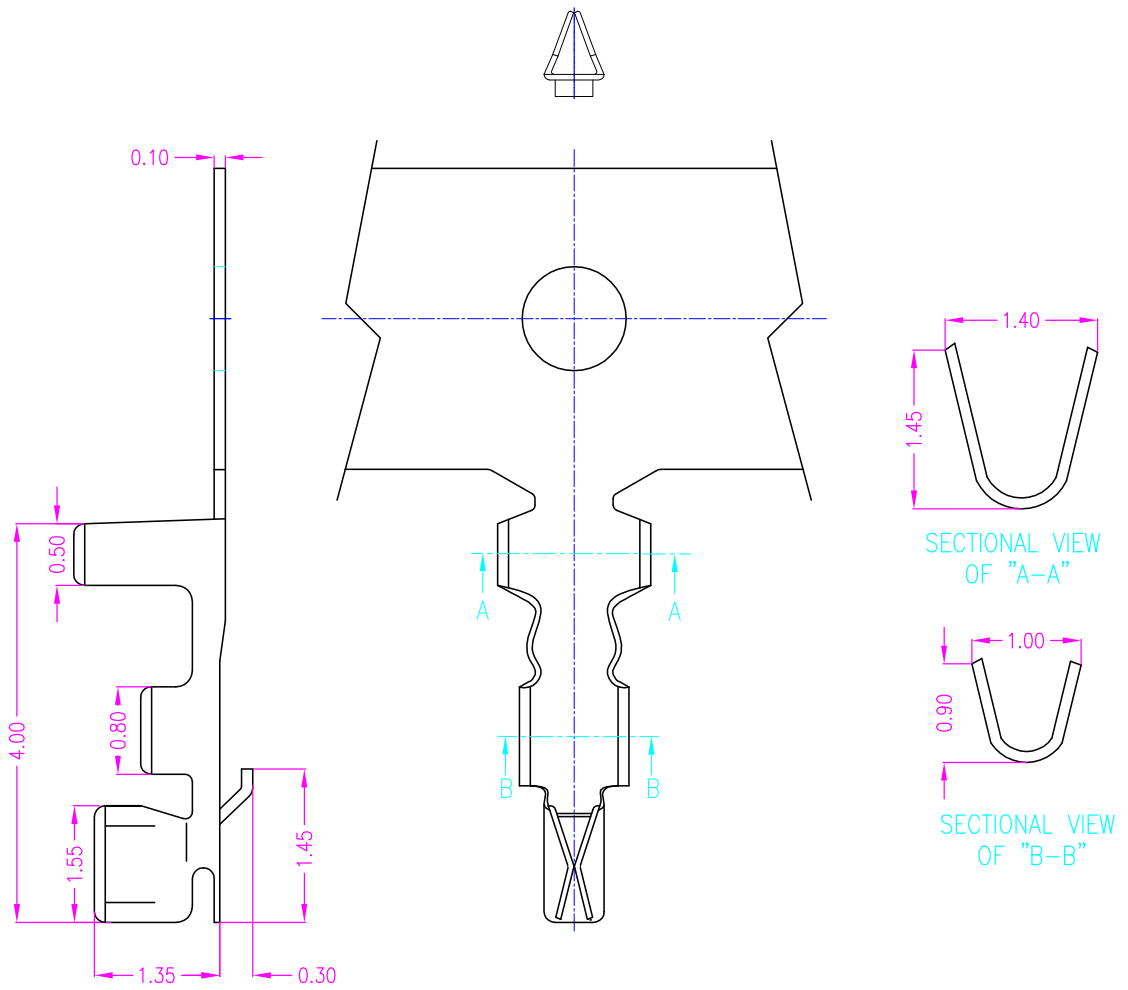
SPQ- -----



# PROTECTRON ELECTROMECH (P) LTD

DESCRIPTION : CRIMP TERMINAL FOR 1mm PTICH HOUSING

PART NO:P9077T00-29



A	ORIGINAL		SUJATHA	15.07.2014		
REV.	DESCRIPTION			DRN BY	DATE	CKED BY APP'D BY
Projection: 		Scale: NTS	Sht. Size: A4	Gen. Tol.: $\pm 0.3\text{mm}$ $\pm 2^\circ$	ALL DIMENSIONS ARE IN MM. IF UNLESS OTHERWISE SPECIFIED.	