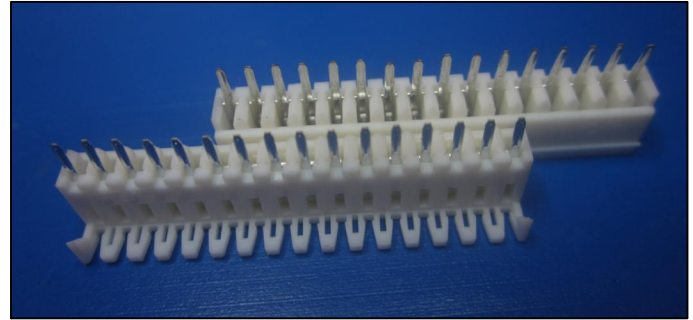


DESCRIPTION : 2.54mm PITCH P.C BOARD CONNECTOR, TOP ENTRY

PART NO: P9075S29-19-X
X=NO. OF WAYS(2-25)

RoHS



PHYSICAL

INSULATION

MATERIAL : NYLON 66
 FLAMMABILITY : UL94V-2
 COLOR : NATURAL COLOR
 CONTACT : BRASS, TIN PLATED
PACKAGING TYPE : BULK PACKING

ELECTRICAL

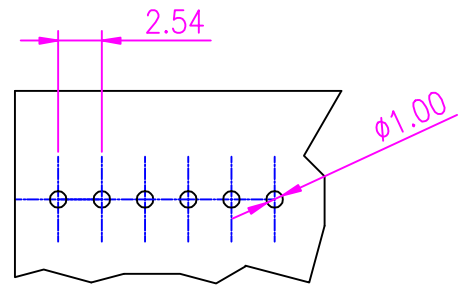
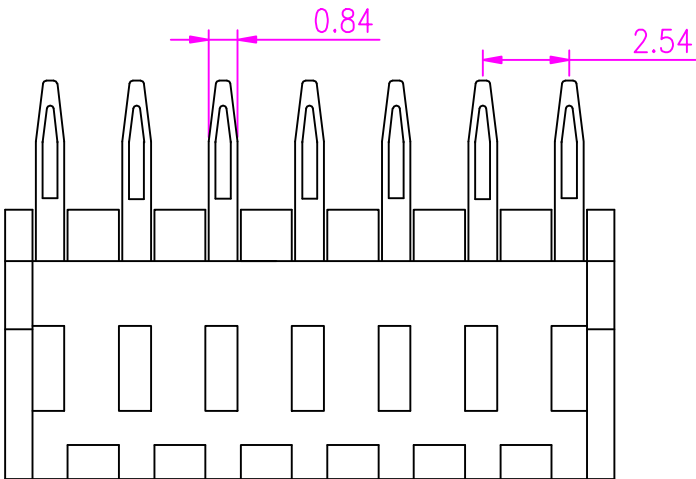
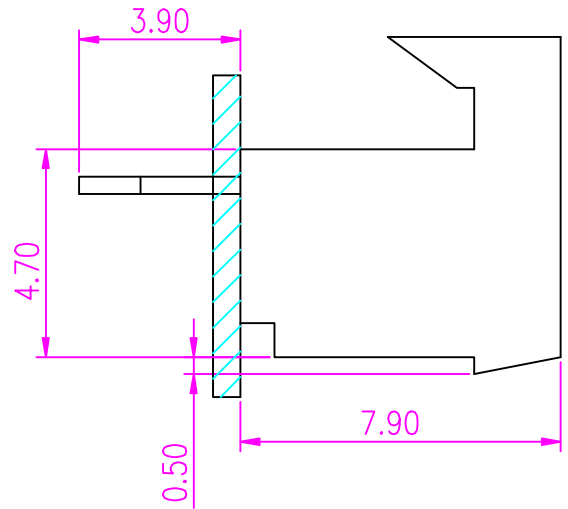
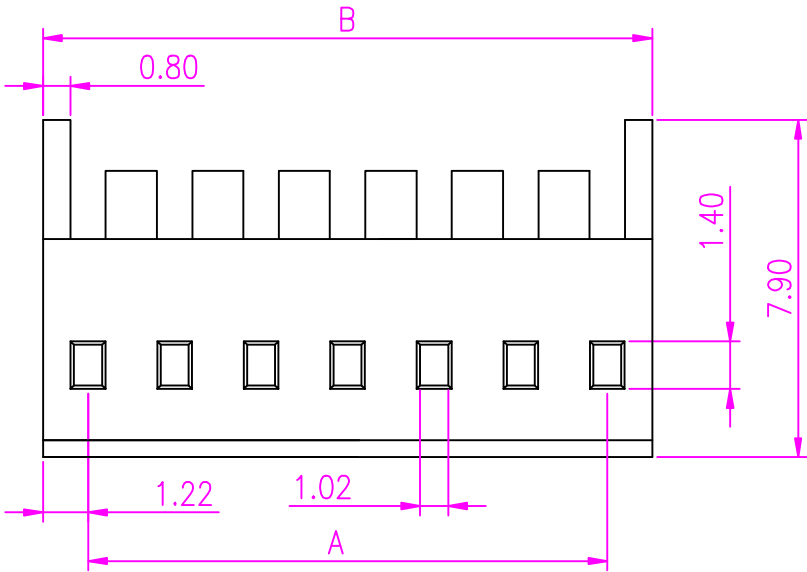
CURRENT RATING : 3A
INSULATION RESISTANCE : 5000M OHMS MIN
DIELECTRIC WITHSTANDING : 1500V AC/MIN
CONTACT RESISTANCE : 10m OHMS MAX
VOLTAGE RATING : 250V AC/DC

ENVIRONMENTAL DATA

TEMPERATURE RANGE : -25° TO +85° C
PROCESS RATING : 230°C FOR 5SEC


DESCRIPTION : 2.54mm PITCH P.C BOARD CONNECTOR, TOP ENTRY

PART NO: P9075S29-19-X
X=NO. OF WAYS(2-25)



Recommended PCB Layout
(PCB tolerance ± 0.05)

A	ORIGINAL	CHAITRA	21.03.2007	SACHIN	
REV.		DRN. BY	DATE	CK'ED BY	APP'D BY

Projection: 	Scale: NTS	Sht. Size: A4	Gen. Tol.: ± 0.35 mm	ALL DIMENSIONS ARE IN MM. IF UNLESS OTHERWISE SPECIFIED.
--	------------	---------------	--------------------------	---

DESCRIPTION : 2.54mm PITCH P.C BOARD CONNECTOR, TOP ENTRY

PART NO: P9075S29-19-X
X=NO. OF WAYS(2-25)

ORDERING INFORMATION

P9075S29-19-X
 |
 NO OF WAYS
 (2-25)

CIRCUITS	DIMENSION				
	A±0.20	B±0.20			
2	2.54	5.08	15	35.56	38.10
3	5.08	7.62	16	38.10	40.64
4	7.62	10.16	17	40.64	43.18
5	10.16	12.70	18	43.18	45.72
6	12.70	15.24	19	45.72	48.26
7	15.24	17.78	20	48.26	50.80
8	17.78	20.32	21	50.80	53.34
9	20.32	22.86	22	53.34	55.88
10	22.86	25.40	23	55.88	58.42
11	25.40	27.94	24	58.42	60.96
12	27.94	30.48	25	60.96	63.50
13	30.48	33.02			
14	33.02	35.56			

MOQ- ----

SPQ- ----