

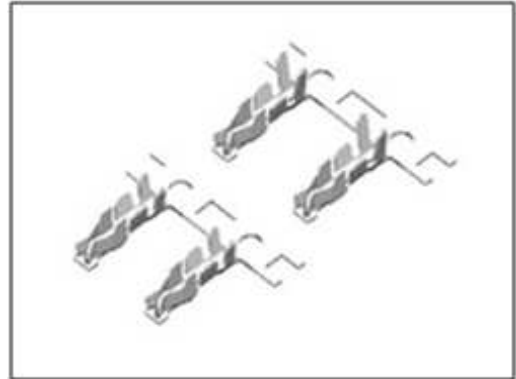


PROTECTRON ELECTROMECH (P) LTD

DESCRIPTION : TERMINAL FOR 2.0mm PITCH CRIMP TYPE CONNECTOR

PART NO: P9069T00-29

RoHS



PHYSICAL

MATERIAL

TERMINAL

: PHOSPHOR BRONZE/TIN PLATED

PACKAGING TYPE

: BULK PACKING

ORDERING INFORMATION

P9069T00-29

MATES WITH

APPLICABLE WIRE
AWG #22 TO #26

MATING CONNECTOR :
P9069S/R - HEADER
P9069H - HOUSING

MOQ- ----

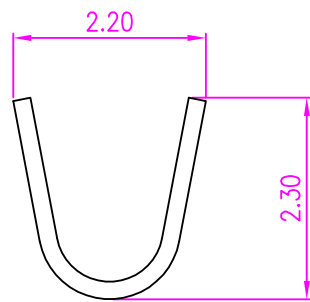
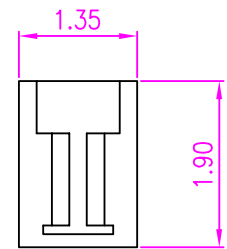
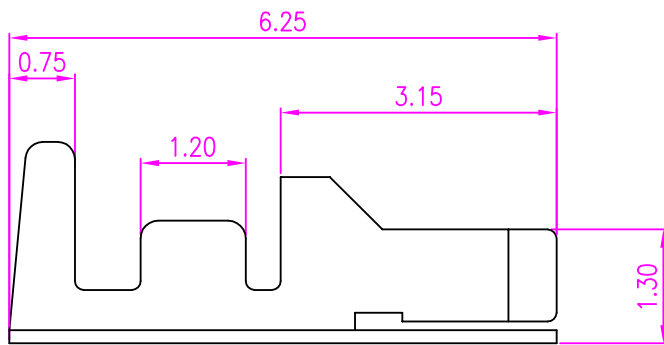
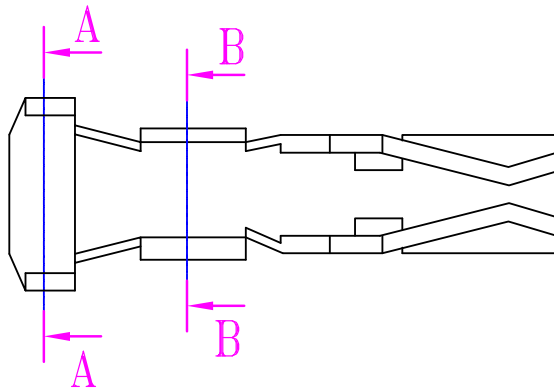
SPQ- ----



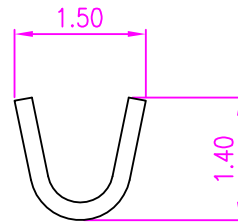
PROTECTRON ELECTROMECH (P) LTD

DESCRIPTION : TERMINAL FOR 2.0mm PITCH CRIMP TYPE CONNECTOR

PART NO: P9069T00-29



SECTION-AA



SECTION-BB

A1	DRAWING REVISED	SUNITA	25.05.2014			
A	ORIGINAL	ARUN	29.12.2004			
REV.	DESCRIPTION		DRN BY	DATE	CKED BY	APP'D BY
	Projection: 	Scale: NTS	Sht. Size: A4	Gen. Tol.: ±0.5mm	ALL DIMENSIONS ARE IN MM. IF UNLESS OTHERWISE SPECIFIED.	