

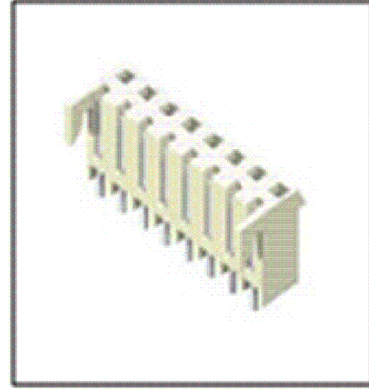


PROTECTRON ELECTROMECH (P) LTD

DESCRIPTION : 3.96mm PITCH CENTER PC BOARD CONNECTOR,
STRAIGHT

PART NO:P9068S29-19-X
X=NO OF CONTACTS

RoHS



PHYSICAL DATA

INSULATION

MATERIAL : NYLON
FLAMMABILITY : UL94V-2
COLOR : NATURAL COLOR
CONTACT : BRASS, TIN PLATED
PACKAGING TYPE : BULK PACKING

ELECTRICAL DATA

CURRENT RATING : 1A
INSULATION RESISTANCE : 1000M OHMS MIN
DIELECTRIC WITHSTANDING : 1500V AC/MIN
CONTACT RESISTANCE : 10m OHMS MAX
VOLTAGE RATING : 250V AC/DC

ENVIRONMENTAL DATA

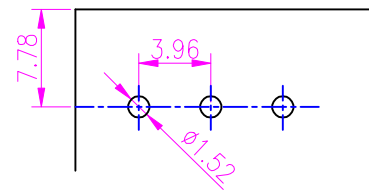
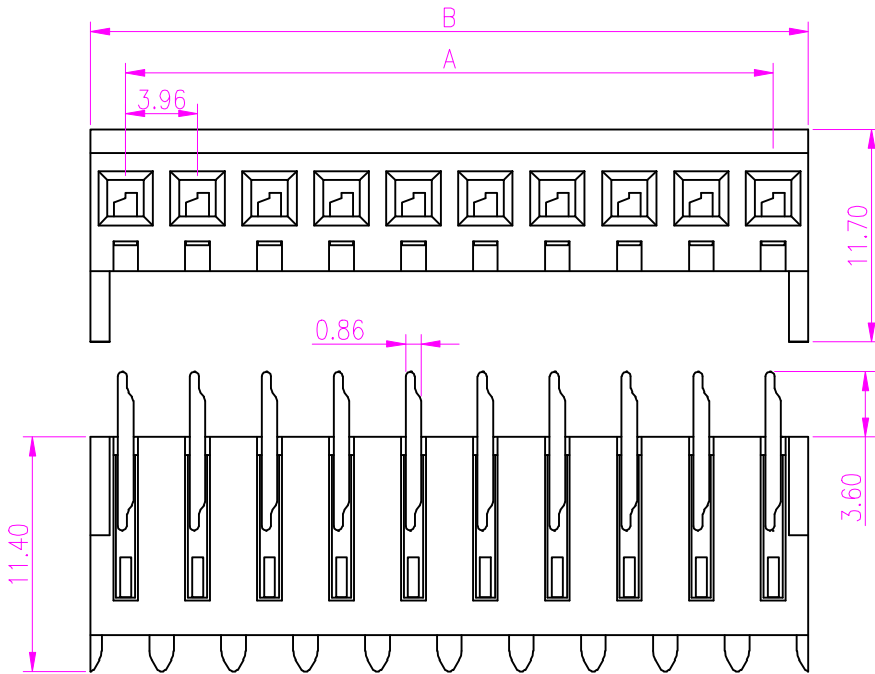
TEMPERATURE RANGE : -25° TO +85° C
PROCESS RATING : +230°C 5 SECONDS



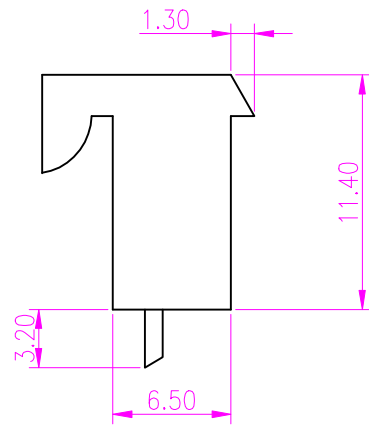
PROTECTRON ELECTROMECH (P) LTD

DESCRIPTION : 3.96mm PITCH CENTER PC BOARD CONNECTOR,
STRAIGHT

PART NO:P9068S29-19-X
X=NO OF CONTACTS



RECOMMENDED PCB LAYOUT
(PCB TOLERANCE ± 0.05)



A1	DRAWING IS REDRAWN	CHAITRA	29.10.2007		
A	ORIGINAL	SIDDU	23.08.2007		
REV.	DESCRIPTION	DRN. BY	DATE	CK'ED BY	APP'D BY

Projection: 	Scale: NTS	Sht. Size: A4	Gen. Tol.: ± 0.25 mm	ALL DIMENSIONS ARE IN MM. IF UNLESS OTHERWISE SPECIFIED.	
-----------------	------------	---------------	--------------------------	---	--

DESCRIPTION : 3.96mm PITCH CENTER PC BOARD CONNECTOR,
STRAIGHT

PART NO:P9068S29-19-X
X=NO OF CONTACTS

ORDERING INFORMATION

P9068S29-19-X

NO.OF CONTACTS
(2-25)

NO OF CONTACTS	DIMENSIONS		NO OF CONTACTS	DIMENSIONS		NO OF CONTACTS	DIMENSIONS	
	A	B		A	B		A	B
02	3.96	7.82	A-10	35.64	39.50	I-18	67.32	71.18
03	7.92	11.78	B-11	39.60	43.46	J-19	71.28	75.14
04	11.88	15.74	C-12	43.56	47.42	K-20	75.24	79.10
05	15.84	19.70	D-13	47.52	51.38	L-21	79.20	83.06
06	19.80	23.66	E-14	51.48	55.34	M-22	83.16	87.02
07	23.76	27.62	F-15	55.44	59.30	N-23	87.12	90.98
08	27.72	31.58	G-16	59.40	63.26	O-24	91.08	94.94
09	31.68	35.54	H-17	63.36	67.22	P-25	95.04	98.90

MOQ- ----

SPQ- ----