



PROTECTRON ELECTROMECH (P) LTD

DESCRIPTION : WAFER 3.00mm PITCH MICROFIT, DOUBLE ROW,
R/A WITH PEGS

PART NO: P9066R20-1X-X
X=NO. OF WAYS(2-24)

RoHS



PHYSICAL

INSULATION

MATERIAL	:	PBT 30% GF
FLAMMABILITY	:	UL94V-0
COLOR	:	BLACK COLOR
CONTACT	:	BRASS/TIN PLATED
PACKAGING TYPE	:	BULK PACKING

ELECTRICAL

CURRENT RATING	:	5A
INSULATION RESISTANCE	:	1000M OHMS MIN
DIELECTRIC WITHSTANDING	:	1500V AC/MIN
CONTACT RESISTANCE	:	10m OHMS MAX
VOLTAGE RATING	:	250V AC/DC

ENVIRONMENTAL DATA

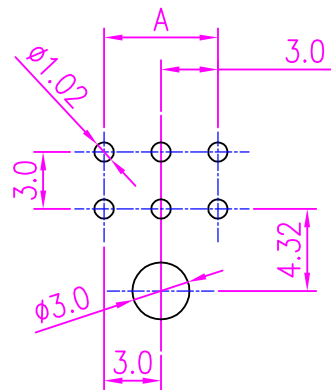
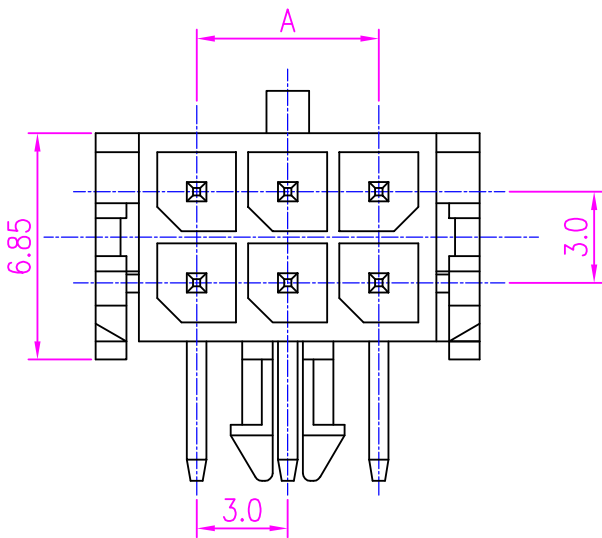
TEMPERATURE RANGE	:	-25° TO +85° C
PROCESS RATING	:	180°C FOR 5SEC



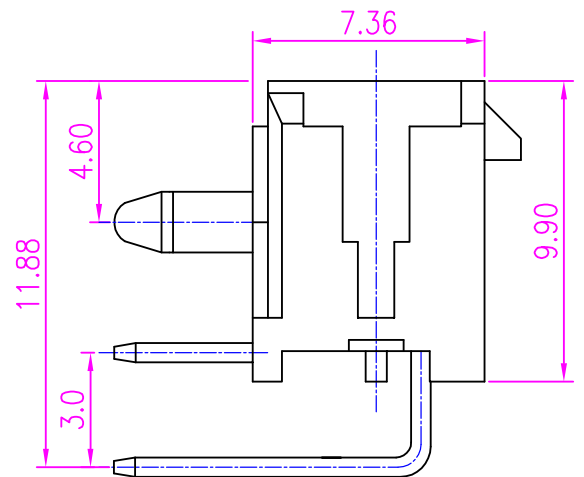
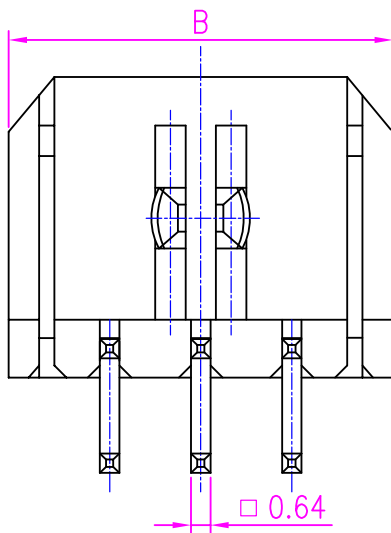
PROTECTRON ELECTROMECH (P) LTD

DESCRIPTION : WAFER 3.00mm PITCH MICROFIT, DOUBLE ROW,
R/A WITH PEGS

PART NO: P9066R20-1X-X
X=NO. OF WAYS(2-24)



RECOMMENDED PCB LAYOUT
(PCB TOLERANCE ± 0.05)



A	ORIGINAL			ANIL	15.03.2008		
REV.	DESCRIPTION			DRN. BY	DATE	CK'ED BY	APP'D BY
	Projection: 	Scale: NTS	Sht. Size: A4	Gen. Tol.: ± 0.35 mm	ALL DIMENSIONS ARE IN MM. IF UNLESS OTHERWISE SPECIFIED.		



PROTECTRON ELECTROMECH (P) LTD

DESCRIPTION : WAFER 3.00mm PITCH MICROFIT, DOUBLE ROW,
R/A WITH PEGS

PART NO: P9066R20-1X-X
X=NO. OF WAYS(2-24)

ORDERING INFORMATION

P9066R20-1X-X

TYPE OF PLATING

NO OF WAYS
(2-24)

PART NO (TIN PLATED)	PART NO (GOLD PLATED)	DIMENSIONS	
		A	B
P9066R20-19-2	P9066R20-12-2	--	6.65
P9066R20-19-4	P9066R20-12-4	3.00	9.65
P9066R20-19-6	P9066R20-12-6	6.00	12.65
P9066R20-19-8	P9066R20-12-8	9.00	15.65
P9066R20-19-A	P9066R20-12-A	12.00	18.65
P9066R20-19-C	P9066R20-12-C	15.00	21.65
P9066R20-19-E	P9066R20-12-E	18.00	24.65
P9066R20-19-G	P9066R20-12-G	21.00	27.65
P9066R20-19-I	P9066R20-12-I	24.00	30.65
P9066R20-19-K	P9066R20-12-K	27.00	33.65
P9066R20-19-M	P9066R20-12-M	30.00	36.65
P9066R20-19-O	P9066R20-12-O	33.00	39.65

MATES WITH

P9066H/ P9066T

MOQ- ----

SPQ- ----