



# PROTECTRON ELECTROMECH (P) LTD

DESCRIPTION : TERMINAL FOR PLUG HOUSING 3.0mm PITCH  
MICRO-FIT CONECTOR, TIN PLATED

PART NO: P9066PT00-29

RoHS



## PHYSICAL

MATERIAL

:

TERMINAL

:

PHOSPHOR BRONZE/TIN PLATED

PACKAGING TYPE

:

BULK PACKING

### MATES WITH

APPLICABLE WIRE:  
20 - 24AWG (INSULATION  
OUTER DIA 1.85mm MAX)

MATING CONNECTOR:  
P9066PH

### ORDERING INFORMATION

P9066PT00-29

MOQ- ----

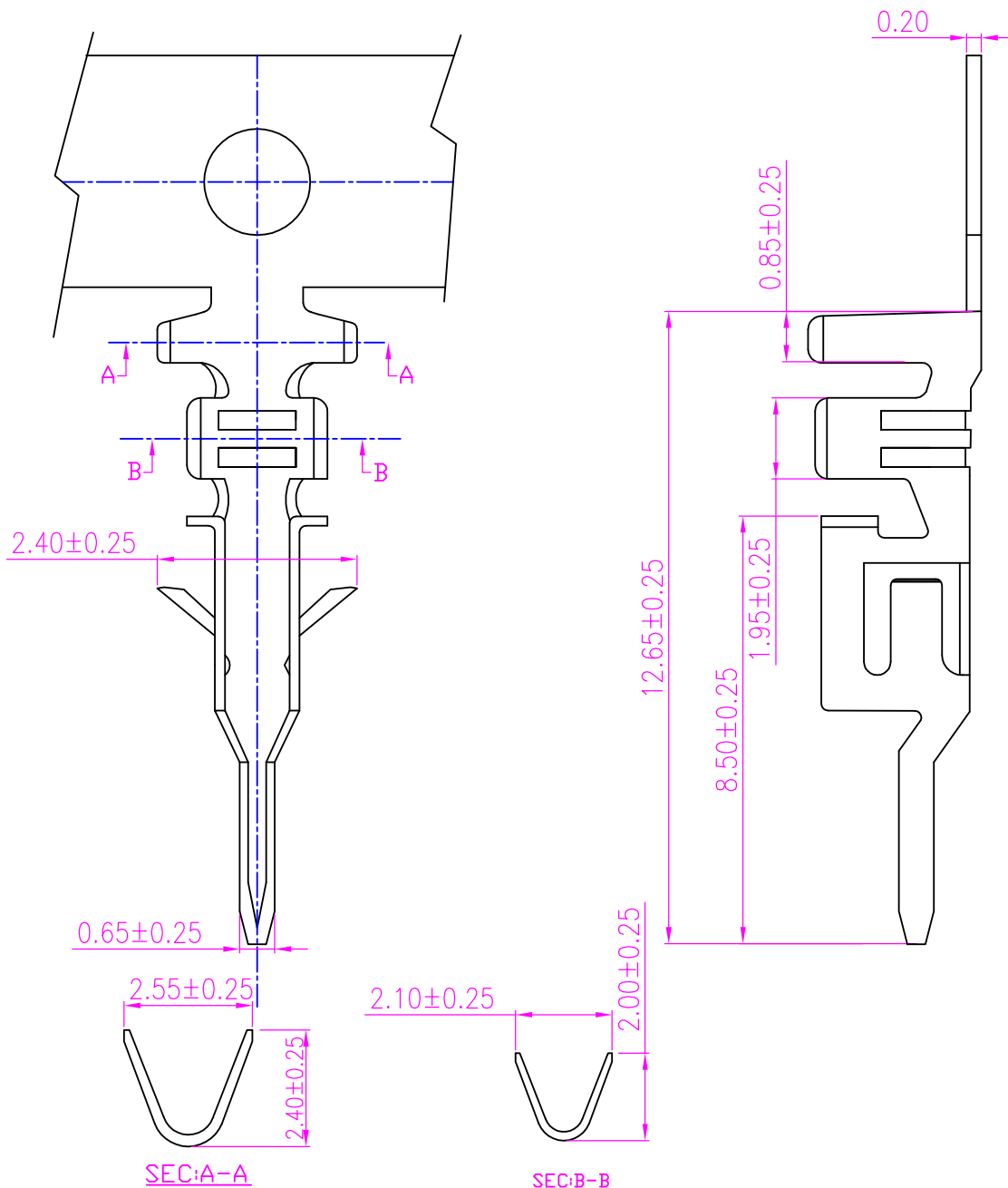
SPQ- ----



# PROTECTRON ELECTROMECH (P) LTD

DESCRIPTION : TERMINAL FOR PLUG HOUSING 3.0mm PITCH  
MICRO-FIT CONECTOR, TIN PLATED

PART NO: P9066PT00-29



A	ORIGINAL		ANIL	23.01.2008		
REV.	DESCRIPTION			DRN. BY	DATE	CK'ED BY APP'D BY
Projection: 		Scale: NTS	Sht. Size: A4	Gen. Tol.: ±0.1mm ±1°	ALL DIMENSIONS ARE IN MM. IF UNLESS OTHERWISE SPECIFIED.	

<http://www.protectron.in>  
protectron@protectron.in