



# PROTECTRON ELECTROMECH (P) LTD

DESCRIPTION : PLUG HOUSING 3.00mm PITCH MICRO-FIT  
CONNECTOR, DOUBLE ROW

PART NO: P9066PH20-00-X  
X=NO. OF CONTACTS

RoHS



## PHYSICAL

### INSULATION

MATERIAL : NYLON 66  
FLAMMABILITY : UL94V-2  
COLOR : BLACK COLOR  
PACKAGING TYPE : BULK PACKING

## ELECTRICAL

CURRENT RATING : 5A  
INSULATION RESISTANCE : 1000M OHMS MIN  
DIELECTRIC WITHSTANDING : 1500V AC/MIN  
CONTACT RESISTANCE : 10m OHMS MAX  
VOLTAGE RATING : 250V AC/DC

## ENVIRONMENTAL DATA

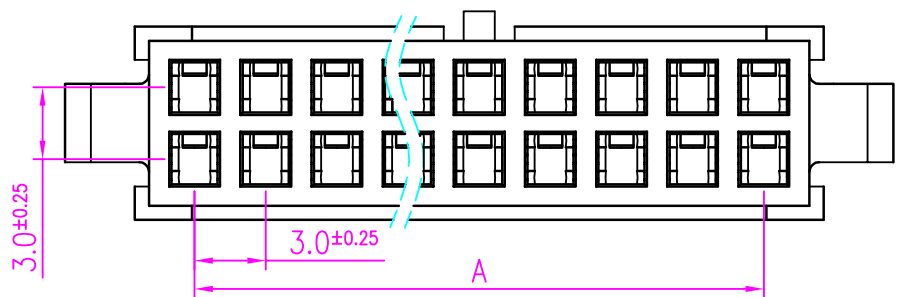
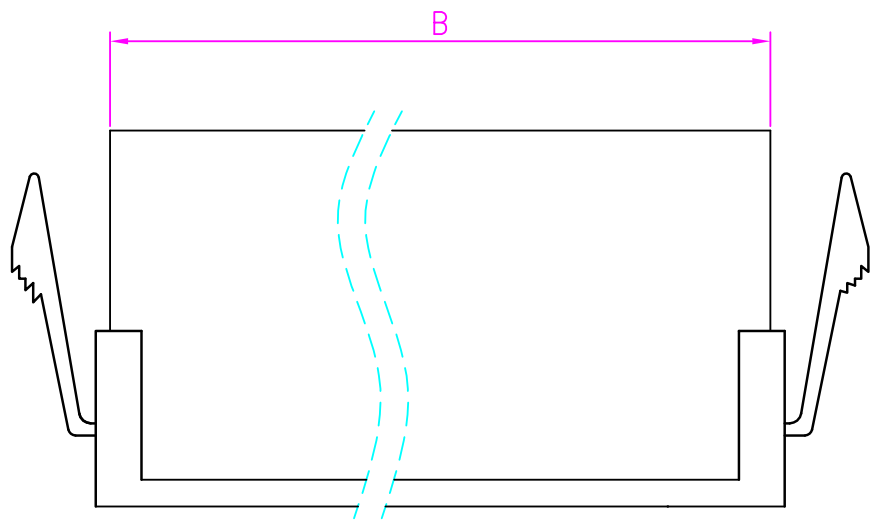
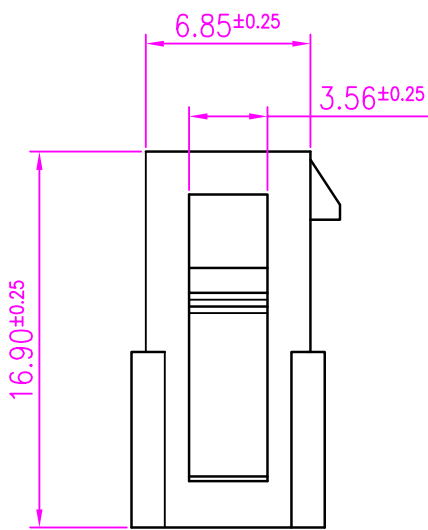
TEMPERATURE RANGE : -25°C TO +85°C



# PROTECTRON ELECTROMECH (P) LTD

DESCRIPTION : PLUG HOUSING 3.00mm PITCH MICRO-FIT  
CONNECTOR, DOUBLE ROW

PART NO: P9066PH20-00-X  
X=NO. OF CONTACTS



A	ORIGINAL			ANIL	22.07.2008		
REV.	DESCRIPTION			DRN. BY	DATE	CK'ED BY	APP'D BY
Projection: 		Scale: NTS	Sht. Size: A4	Gen. Tol.: ±0.35mm	ALL DIMENSIONS ARE IN MM. IF UNLESS OTHERWISE SPECIFIED.		



# PROTECTRON ELECTROMECH (P) LTD

DESCRIPTION : PLUG HOUSING 3.00mm PITCH MICRO-FIT  
CONNECTOR, DOUBLE ROW

PART NO: P9066PH20-00-X  
X=NO. OF CONTACTS

### ORDERING INFORMATION

P9066PH20-00-X

NO OF CONTACTS

DIM. A	DIM.B	PART NUMBER
---	3.85	P9066PH20-00-2
3.00	6.85	P9066PH20-00-4
6.00	9.85	P9066PH20-00-6
9.00	12.85	P9066PH20-00-8
12.00	15.85	P9066PH20-00-A
15.00	18.85	P9066PH20-00-C
18.00	21.85	P9066PH20-00-E
21.00	24.85	P9066PH20-00-G
24.00	27.85	P9066PH20-00-I
27.00	30.85	P9066PH20-00-K
30.00	33.85	P9066PH20-00-M
33.00	36.85	P9066PH20-00-O

#### MATES WITH

P9066T SERIES  
TERMINAL  
P9066S/R SERIES  
HEADER

MOQ- ----

SPQ- ----