

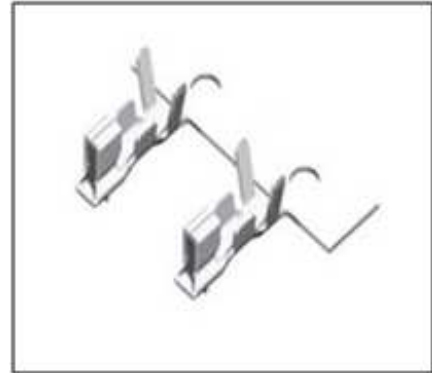


PROTECTRON ELECTROMECH (P) LTD

DESCRIPTION : CRIMP TERMINAL FOR EH CONNECTOR HOUSING,
2.5mm PITCH

PART NO: P9064T00-29

RoHS



PHYSICAL

MATERIAL :

TERMINAL :

PACKAGING TYPE :

PHOSPHOR BRONZE/ TIN PLATED

BULK PACKING

ORDERING INFORMATION

P9064T00-29

MATES WITH

APPLICABLE CABLE:

26 - 32AWG (INSULATION
OUTER DIA 1.10mm MAX)

ASSOCIATED CONNECTORS:

P9064S/ P9064R

P9064H

MOQ- ----

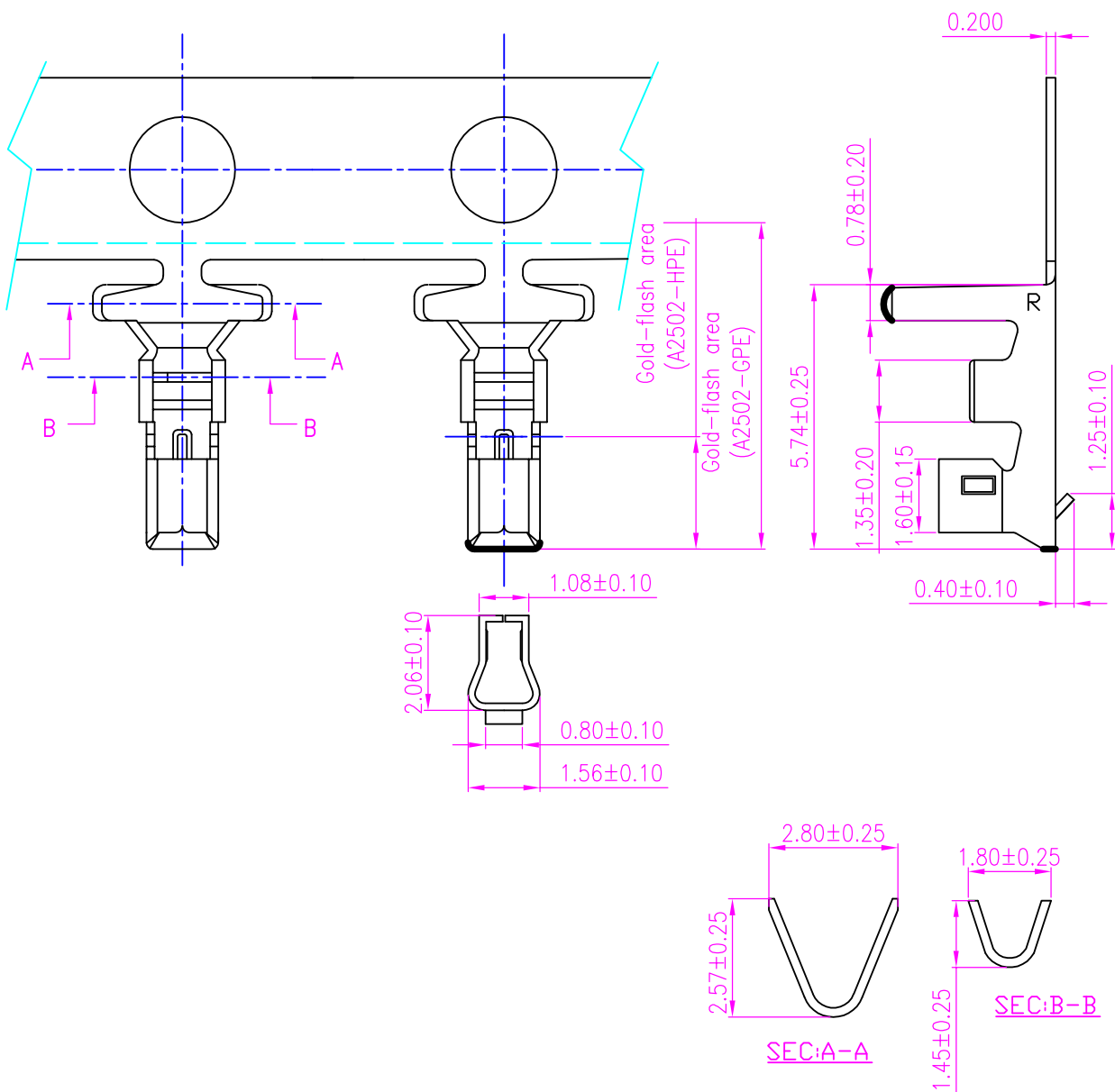
SPQ- ----



PROTECTRON ELECTROMECH (P) LTD

DESCRIPTION : CRIMP TERMINAL FOR EH CONNECTOR HOUSING,
2.5mm PITCH

PART NO: P9064T00-29



A	ORIGINAL			ANIL	08.01.2008		
REV.	DESCRIPTION			DRN BY	DATE	CKED BY	APP'D BY
Projection: 		Scale: NTS	Sht. Size: A4	Gen. Tol.: ±0.35mm	ALL DIMENSIONS ARE IN MM. IF UNLESS OTHERWISE SPECIFIED.		