



PROTECTRON ELECTROMECH (P) LTD

DESCRIPTION : CRIMP TERMINAL FOR 2.5mm PITCH SHROUDED HOUSING

PART NO: P9060T00-29

RoHS



PHYSICAL

MATERIAL

TERMINAL : COPPER ALLOY/TIN PLATED

PACKAGING TYPE : BULK PACKING

ELECTRICAL DATA

CONTACT RESISTANCE : 20m OHMS MAX

CURRENT RATING : 3A AC/DC

VOLTAGE RATING : 250V AC/DC

MATES WITH

APPLICABLE CABLE:

22-28AWG (INSULATION DIA 1.90mm MAX)

ASSOCIATED CONNECTORS:

P9060H/S/R

ORDERING INFORMATION

P9060T00-29

MOQ- ----

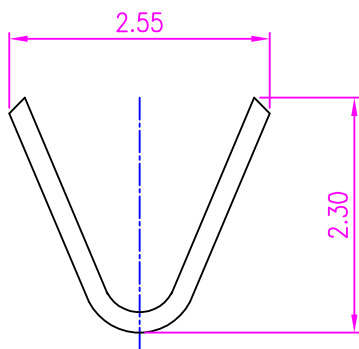
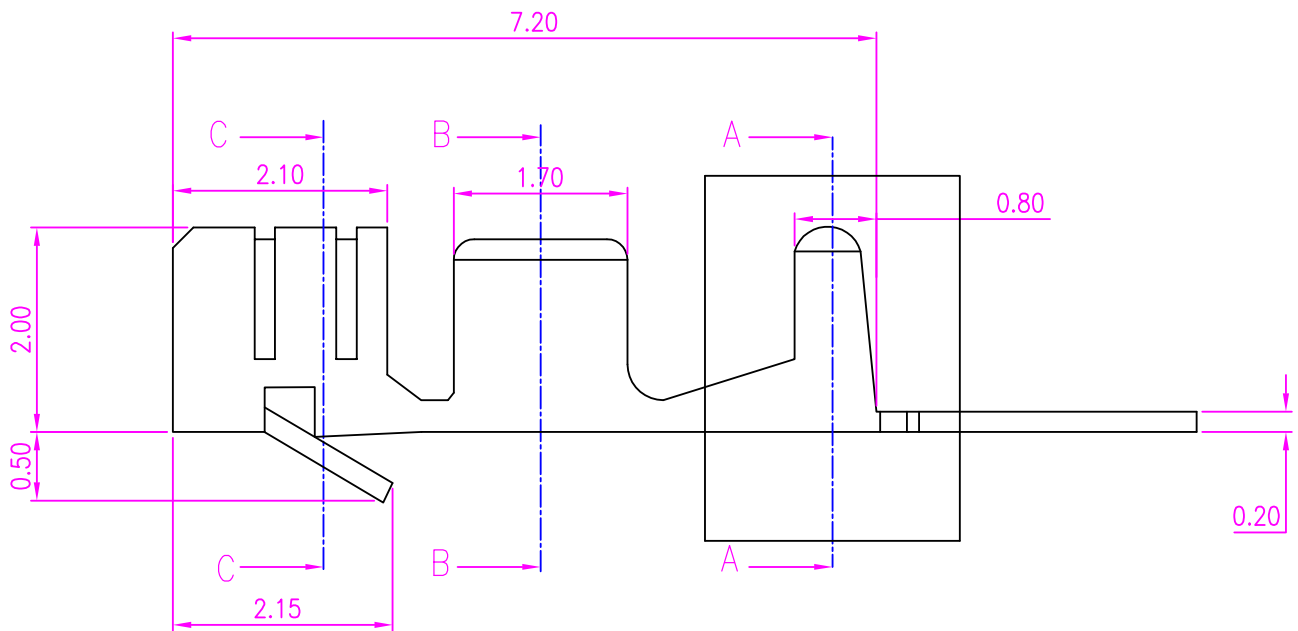
SPQ- ----



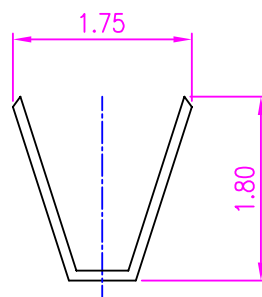
PROTECTRON ELECTROMECH (P) LTD

DESCRIPTION : CRIMP TERMINAL FOR 2.5mm PITCH SHROUDED HOUSING

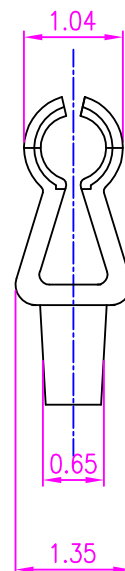
PART NO: P9060T00-29



SEC-AA



SEC-BB



SEC-CC

A	ORIGINAL		SANDHYA	03.08.2005		
REV.	DESCRIPTION			DRN BY	DATE	APP'D BY
Projection: 		Scale: NTS	Sht. Size: A4	Gen. Tol.: ±0.35mm	ALL DIMENSIONS ARE IN MM. IF UNLESS OTHERWISE SPECIFIED.	