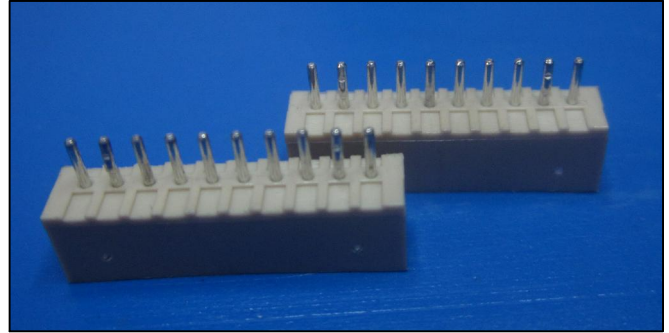


**DESCRIPTION : ZH CONNECTOR WAFER 1.50mm PITCH,
STRAIGHT**

**PART NO:P9058S29-19-X
X=NO. OF WAYS(2-13)**

RoHS



PHYSICAL DATA

INSULATION

MATERIAL : NYLON 66
 FLAMMABILITY : UL94V-0
 COLOR : NATURAL COLOR

CONTACT

MATERIAL : BRASS, TIN PLATED

PACKAGING TYPE

: BULK PACKING

ELECTRICAL DATA

CURRENT RATING : 1A
INSULATION RESISTANCE : 500M OHMS MIN
DIELECTRIC WITHSTANDING : 500V AC/MIN
CONTACT RESISTANCE : 20m OHMS MAX
VOLTAGE RATING : 100V AC/DC

ENVIRONMENTAL DATA

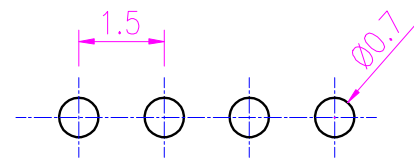
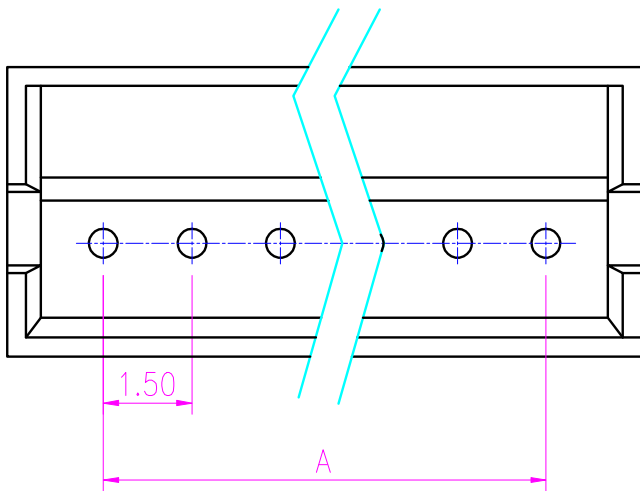
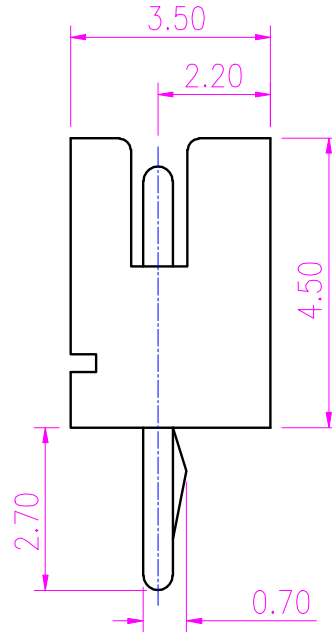
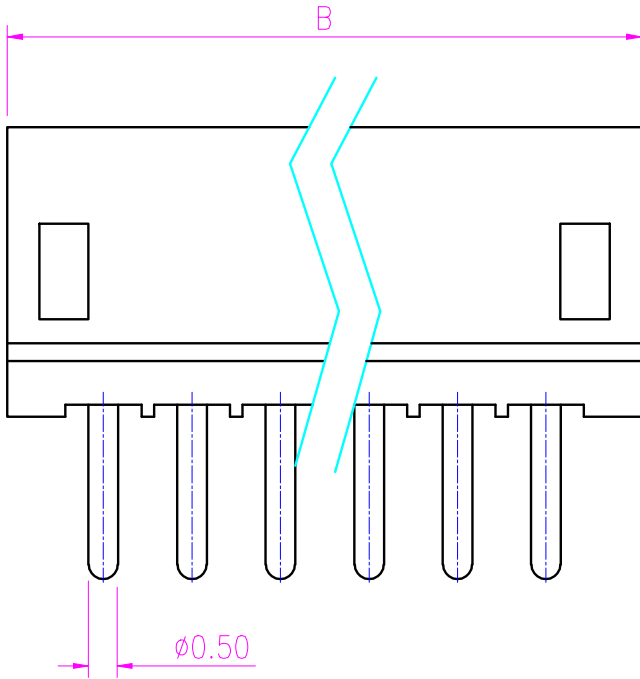
TEMPERATURE RANGE : -25° TO +85° C
PROCESS RATING : 230°C FOR 5SEC



PROTECTRON ELECTROMECH (P) LTD

DESCRIPTION : ZH CONNECTOR WAFER 1.50mm PITCH,
STRAIGHT

PART NO:P9058S29-19-X
X=NO. OF WAYS(2-13)



A	ORIGINAL		CHAITRA	05.09.2007		
REV.		DESCRIPTION	DRN BY	DATE	CKED BY	APP'D BY

Projection: 	Scale: NTS	Sht. Size: A4	Gen. Tol.: ± 0.20 mm	ALL DIMENSIONS ARE IN MM. IF UNLESS OTHERWISE SPECIFIED.
-----------------	------------	---------------	--------------------------	---

DESCRIPTION : ZH CONNECTOR WAFER 1.50mm PITCH,
STRAIGHT

PART NO:P9058S29-19-X
X=NO. OF WAYS(2-13)

ORDERING INFORMATION

P9058S29-19-X

NO OF WAYS
(2-18)

NO. OF WAYS	DIMENSION		PART NUMBER
	A	B	
2	1.50	4.50	P9058S29-19-2
3	3.00	6.00	P9058S29-19-3
4	4.50	7.50	P9058S29-19-4
5	6.00	9.00	P9058S29-19-5
6	7.50	10.50	P9058S29-19-6
7	9.00	12.00	P9058S29-19-7
8	10.50	13.50	P9058S29-19-8
9	12.00	15.00	P9058S29-19-9
10	13.50	16.50	P9058S29-19-A
11	15.00	18.00	P9058S29-19-B
12	16.50	19.50	P9058S29-19-C
13	18.00	21.00	P9058S29-19-D

MATES WITH

P9058H / P9058T

MOQ- ----

SPQ- ----