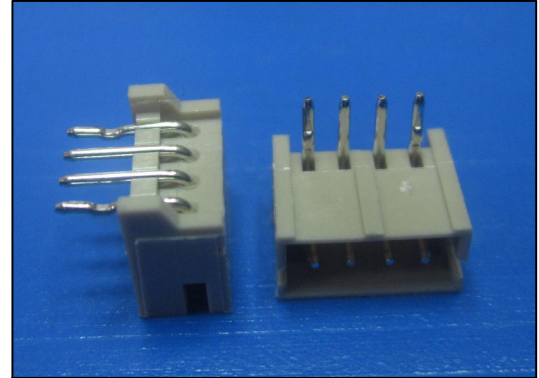


DESCRIPTION : ZH CONNECTOR WAFER 1.50mm PITCH,
RIGHT ANGLE

PART NO:P9058R29-19-X
X=NO. OF WAYS(2-13)

RoHS



PHYSICAL DATA

INSULATION

MATERIAL : NYLON 66
 FLAMMABILITY : UL94V-0
 COLOR : NATURAL COLOR

CONTACT

MATERIAL : BRASS, TIN PLATED

PACKAGING TYPE

: BULK PACKING

ELECTRICAL DATA

CURRENT RATING : 1A
INSULATION RESISTANCE : 500M OHMS MIN
DIELECTRIC WITHSTANDING : 500V AC/MIN
CONTACT RESISTANCE : 20m OHMS MAX
VOLTAGE RATING : 100V AC/DC

ENVIRONMENTAL DATA

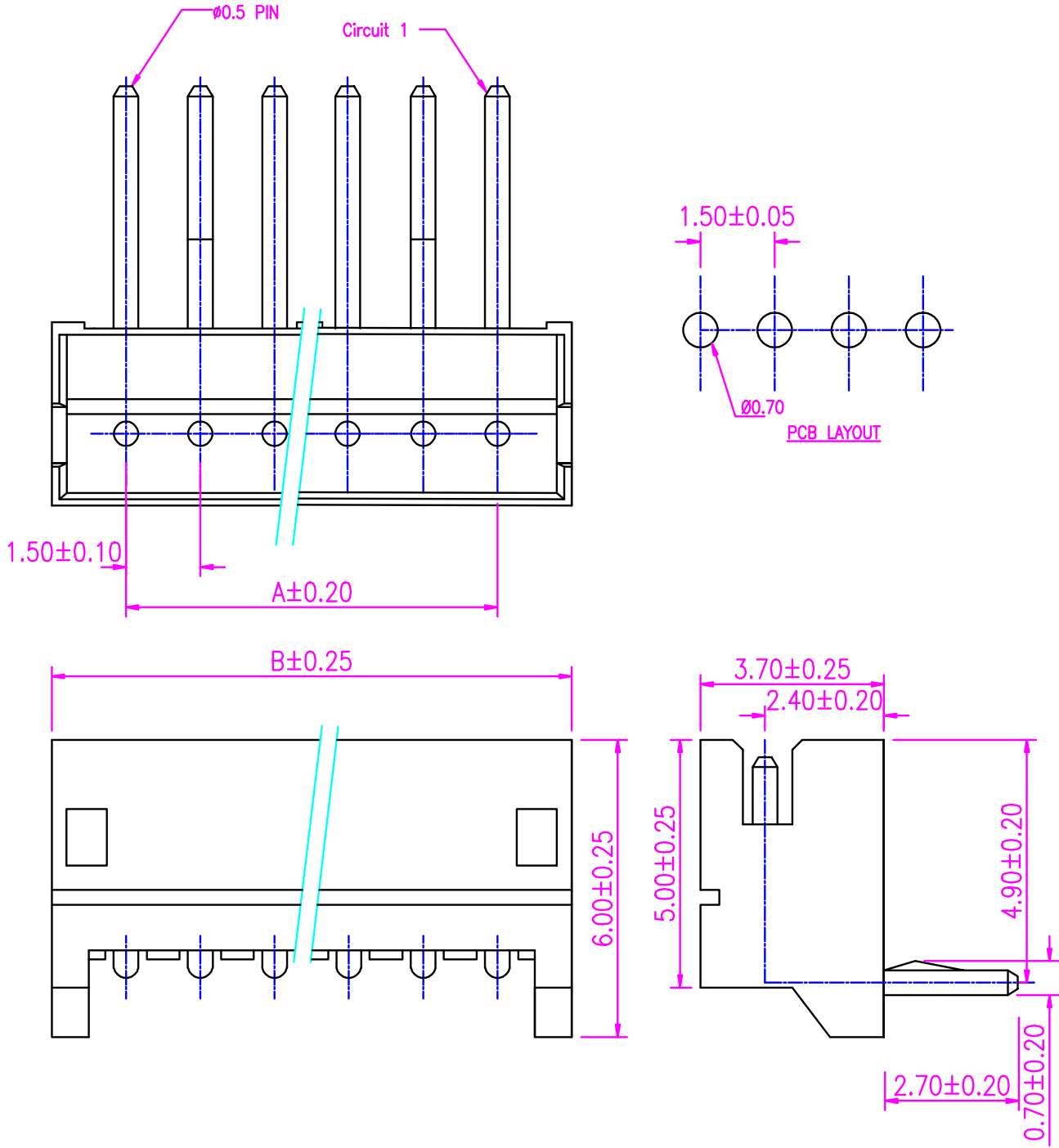
TEMPERATURE RANGE : -25° TO +85° C
PROCESS RATING : 230°C FOR 5SEC




PROTECTRON ELECTROMECH (P) LTD

DESCRIPTION : ZH CONNECTOR WAFER 1.50mm PITCH,
RIGHT ANGLE

PART NO: P9058R29-19-X
X=NO. OF WAYS(2-13)



A	ORIGINAL		ANIL	05.07.2008		
REV.		DESCRIPTION	DRN BY	DATE	CKED BY	APP'D BY
	Projection: 	Scale: NTS	Sht. Size: A4	Gen. Tol.: ± 0.20 mm	ALL DIMENSIONS ARE IN MM. IF UNLESS OTHERWISE SPECIFIED.	

<http://www.protectron.in>
protectron@protectron.in

DESCRIPTION : ZH CONNECTOR WAFER 1.50mm PITCH,
RIGHT ANGLE

PART NO: P9058R29-19-X
X=NO. OF WAYS(2-13)

ORDERING INFORMATION

P9058R29-19-X

NO OF WAYS
(2-13)

NO. OF WAYS	DIMENSION	
	A	B
P9058R29-19-2	1.50	4.50
P9058R29-19-3	3.00	6.00
P9058R29-19-4	4.50	7.50
P9058R29-19-5	6.00	9.00
P9058R29-19-6	7.50	10.50
P9058R29-19-7	9.00	12.00
P9058R29-19-8	10.50	13.50
P9058R29-19-9	12.00	15.00
P9058R29-19-A	13.50	16.50
P9058R29-19-B	15.00	18.00
P9058R29-19-C	16.50	19.50
P9058R29-19-D	18.00	21.00

MATES WITH

P9058H / P9058T

MOQ- ----

SPQ- ----