

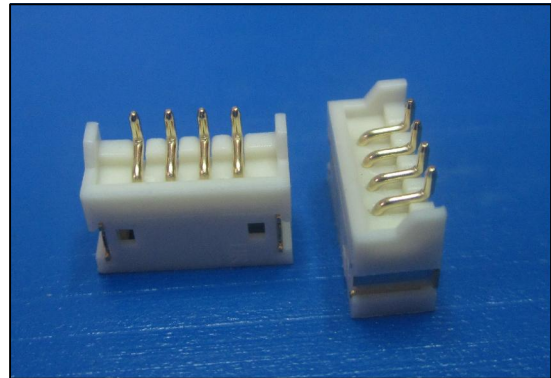


# PROTECTRON ELECTROMECH (P) LTD

DESCRIPTION : PH CONNECTOR WAFER 1.5mm PITCH SMT,  
RIGHT ANGLE

PART NO: P9058N29-12-X  
X=NO. OF WAYS(2-13)

RoHS



## PHYSICAL DATA

### INSULATION

MATERIAL	:	NYLON 6T
FLAMMABILITY	:	UL94V-0
COLOR	:	NATURAL COLOR
<b>PIN MATERIAL</b>	:	BRASS, GOLD PLATED
<b>PACKAGING TYPE</b>	:	BULK PACKING

## ELECTRICAL DATA

<b>CURRENT RATING</b>	:	1A
<b>INSULATION RESISTANCE</b>	:	500M OHMS MIN
<b>DIELECTRIC WITHSTANDING</b>	:	500V AC/MIN
<b>CONTACT RESISTANCE</b>	:	20m OHMS MAX
<b>VOLTAGE RATING</b>	:	100V AC/DC

## ENVIRONMENTAL DATA

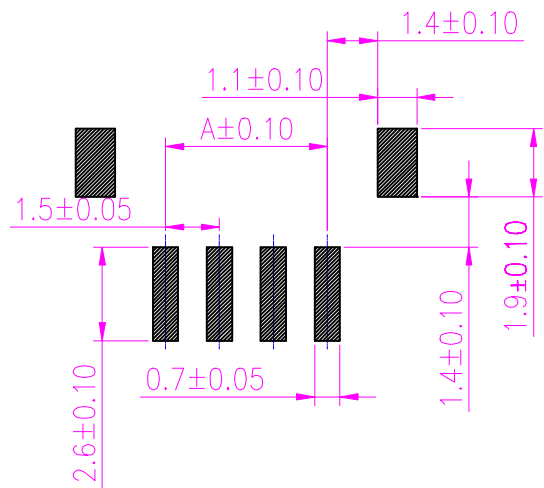
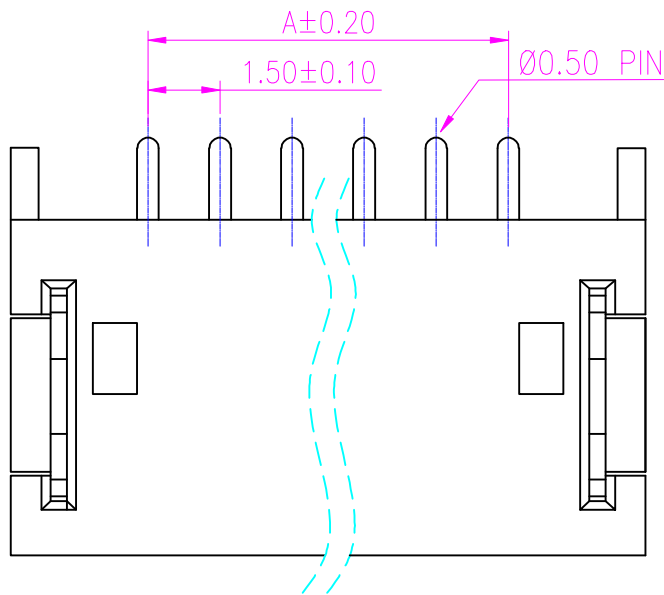
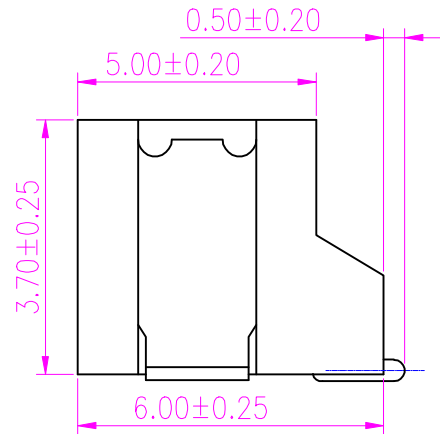
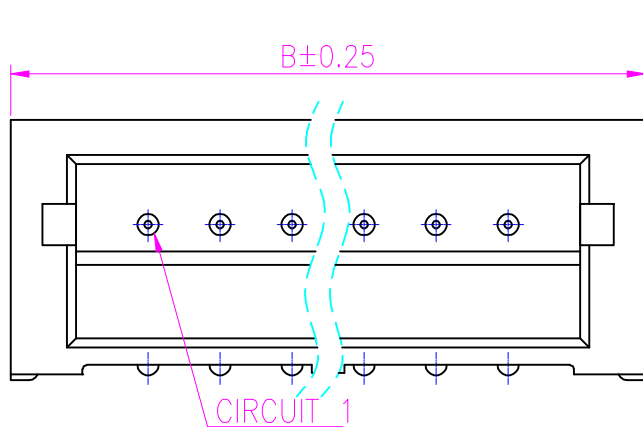
<b>TEMPERATURE RANGE</b>	:	-25° TO +85° C
<b>PROCESS RATING</b>	:	230°C FOR 5SEC



# PROTECTRON ELECTROMECH (P) LTD

DESCRIPTION : PH CONNECTOR WAFER 1.5mm PITCH SMT,  
RIGHT ANGLE

PART NO: P9058N29-12-X  
X=NO. OF WAYS(2-13)



## PCB LAYOUT

A	ORIGINAL		CHAITRA	22.11.2007	PREETHI	
REV.	DESCRIPTION			DRN BY	DATE	CKED BY APP'D BY
Projection: 		Scale: NTS	Sht. Size: A4	Gen. Tol.: ±0.35mm	ALL DIMENSIONS ARE IN MM. IF UNLESS OTHERWISE SPECIFIED.	



# PROTECTRON ELECTROMECH (P) LTD

DESCRIPTION : PH CONNECTOR WAFER 1.5mm PITCH SMT,  
RIGHT ANGLE

PART NO: P9058N29-12-X  
X=NO. OF WAYS(2-13)

## ORDERING INFORMATION

P9058N29-12-X

NO OF WAYS  
(2-13)

NO. OF WAYS	DIM. A	DIM.B	PART NUMBER
2	1.50	6.00	P9058N29-12-2
3	3.00	7.50	P9058N29-12-3
4	4.50	9.00	P9058N29-12-4
5	6.00	10.50	P9058N29-12-5
6	7.50	12.00	P9058N29-12-6
7	9.00	13.50	P9058N29-12-7
8	10.50	15.00	P9058N29-12-8
9	12.00	16.50	P9058N29-12-9
10	13.50	18.00	P9058N29-12-A
11	15.00	19.50	P9058N29-12-B
12	16.50	21.00	P9058N29-12-C
13	18.00	22.50	P9058N29-12-D

MATES WITH

P9058H / P9058T

MOQ- ----

SPQ- ----