



# PROTECTRON ELECTROMECH (P) LTD

DESCRIPTION : CRIMP TERMINAL FOR 2mm PITCH HOUSING

PART NO:P9057T00-29

RoHS



## PHYSICAL

### MATERIAL

TERMINAL	:	PHOSPHOR BRONZE
CONTACT	:	COPPER ALLOY
PACKAGING TYPE	:	BULK PACKING

## ELECTRICAL

CURRENT RATING	:	1A AC/DC
VOLTAGE RATING	:	250V AC/DC

MATES WITH  
P9057H HOUSING

### ORDERING INFORMATION

P9057T00-29

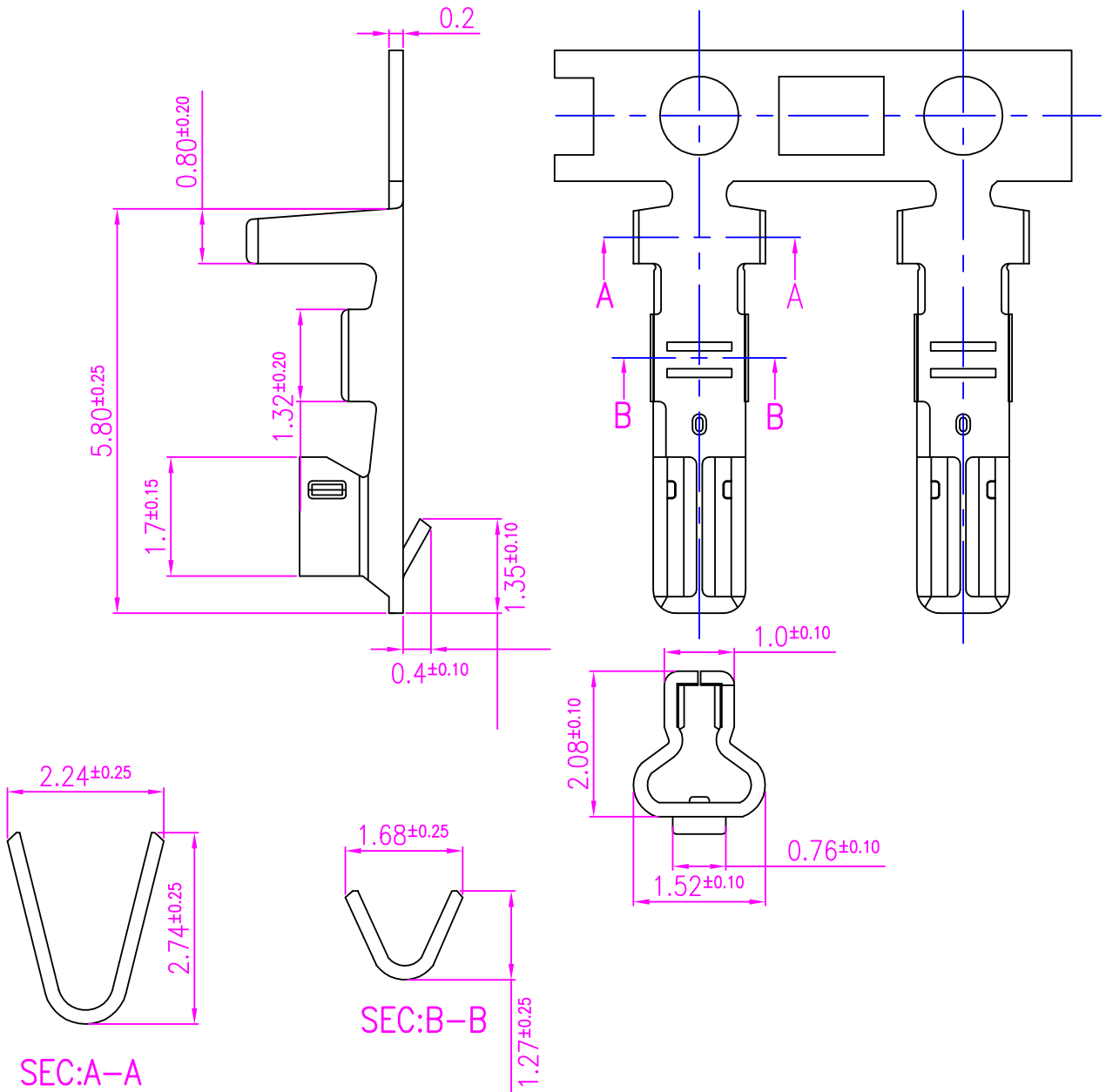
MOQ- ----  
SPQ- ----



# PROTECTRON ELECTROMECH (P) LTD

DESCRIPTION : CRIMP TERMINAL FOR 2mm PITCH HOUSING

PART NO: P9057T00-29



A	ORIGINAL	SACHIN	01.07.2003			
REV.	DESCRIPTION		DRN BY	DATE	CKED BY	APP'D BY
Projection: 		Scale: NTS	Sht. Size: A4	Gen. Tol.: ±0.1mm	ALL DIMENSIONS ARE IN MM. IF UNLESS OTHERWISE SPECIFIED.	