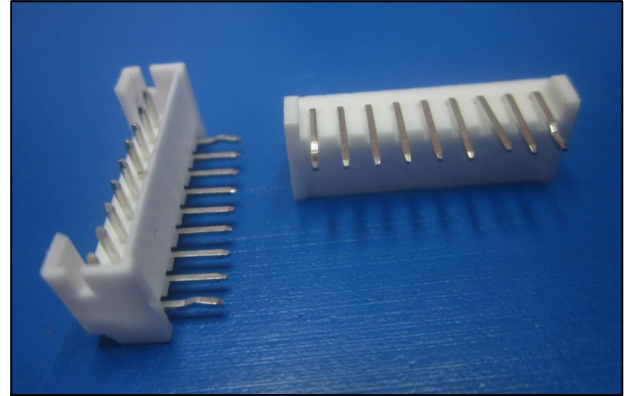


DESCRIPTION : 2.0mm PITCH PH CONNECTOR, RIGHT ANGLE

PART NO: P9057R29-19-X  
X=NO. OF WAYS(2-16)

RoHS



### PHYSICAL DATA

#### INSULATION

MATERIAL : NYLON  
 FLAMMABILITY : UL94V-0  
 COLOR : WHITE COLOR  
**CRIMP TERMINAL** : COPPER ALLOY, TIN PLATED  
**PACKAGING TYPE** : BULK PACKING

### ELECTRICAL DATA

**CURRENT RATING** : 1A  
**INSULATION RESISTANCE** : 1000M OHMS MIN  
**DIELECTRIC WITHSTANDING** : 800V AC/MIN  
**CONTACT RESISTANCE** : 20m OHMS MAX  
**VOLTAGE RATING** : 1000V AC/DC

### ENVIRONMENTAL DATA

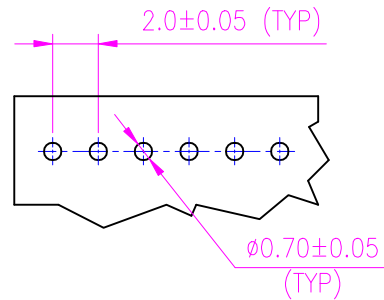
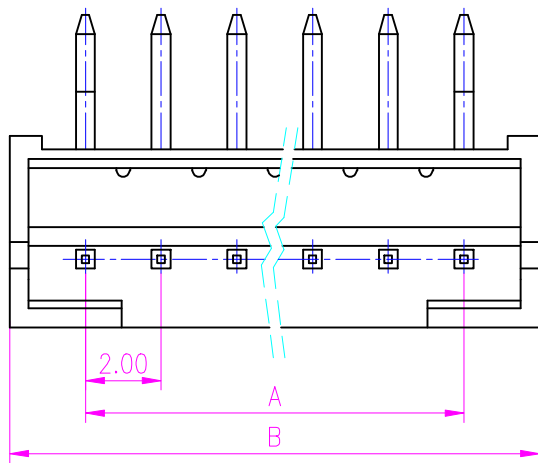
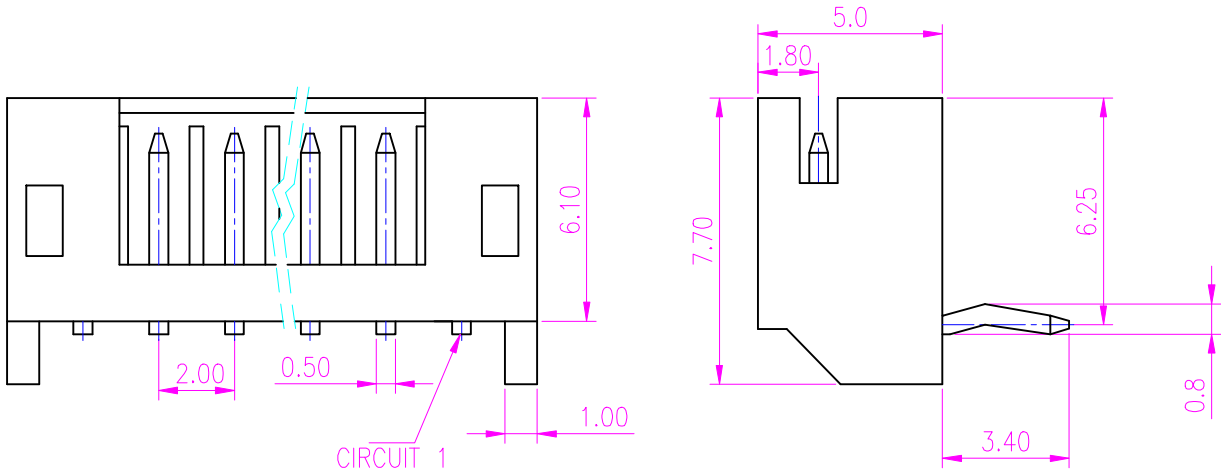
**TEMPERATURE RANGE** : -25° TO +85° C  
**PROCESS RATING** : 230°C FOR 5SEC



# PROTECTRON ELECTROMECH (P) LTD

DESCRIPTION : 2.0mm PITCH PH CONNECTOR, RIGHT ANGLE

PART NO: P9057R29-19-X  
X=NO. OF WAYS(2-16)



**RECOMMENDED PCB LAYOUT**

A1	TECHNICAL DATA INCLUDED	SANDHYA	23.12.2005		
A	ORIGINAL	SACHIN	30.06.2003		
REV.	DESCRIPTION	DRN BY	DATE	CKED BY	APP'D BY

Projection: 	Scale: NTS	Sht. Size: A4	Gen. Tol.: ±0.35mm	ALL DIMENSIONS ARE IN MM. IF UNLESS OTHERWISE SPECIFIED.
-----------------	------------	---------------	--------------------	---

DESCRIPTION : 2.0mm PITCH PH CONNECTOR, RIGHT ANGLE

PART NO: P9057R29-19-X  
X=NO. OF WAYS(2-16)

ORDERING INFORMATION

P9057R29-19-X

NO OF WAYS  
(2-16)

NO. OF WAYS	DIMENSION		PART NUMBER
	A	B	
2	2.00	6.00	P9057R29-19-2
3	4.00	8.00	P9057R29-19-3
4	6.00	10.00	P9057R29-19-4
5	8.00	12.00	P9057R29-19-5
6	10.00	14.00	P9057R29-19-6
7	12.00	16.00	P9057R29-19-7
8	14.00	18.00	P9057R29-19-8
9	16.00	20.00	P9057R29-19-9
10	18.00	22.00	P9057R29-19-A
11	20.00	24.00	P9057R29-19-B
12	22.00	26.00	P9057R29-19-C
13	24.00	28.00	P9057R29-19-D
14	26.00	30.00	P9057R29-19-E
15	28.00	32.00	P9057R29-19-F
16	30.00	34.00	P9057R29-19-G

**MATES WITH**

P9057H -HOUSING  
P9057T -TERMINAL

MOQ- ----

SPQ- ----