

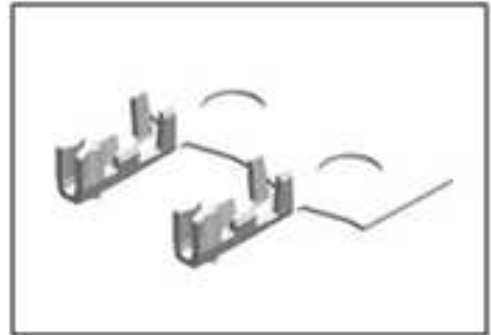


# PROTECTRON ELECTROMECH (P) LTD

DESCRIPTION : CRIMP TERMINAL FOR 1.25mm PITCH  
RECEPTACLE HOUSING

PART NO: P9056T00-19

RoHS



## PHYSICAL

### MATERIAL

TERMINAL	:	COPPER ALLOY/TIN PLATED
INSULATION OD	:	1.00mm MAX
PACKAGING TYPE	:	BULK PACKING

### ORDERING INFORMATION

P9056T00-19

#### MATES WITH

WIRE RANGE :  
AWG#28~#32  
MATING CONNECTOR :  
P9056H

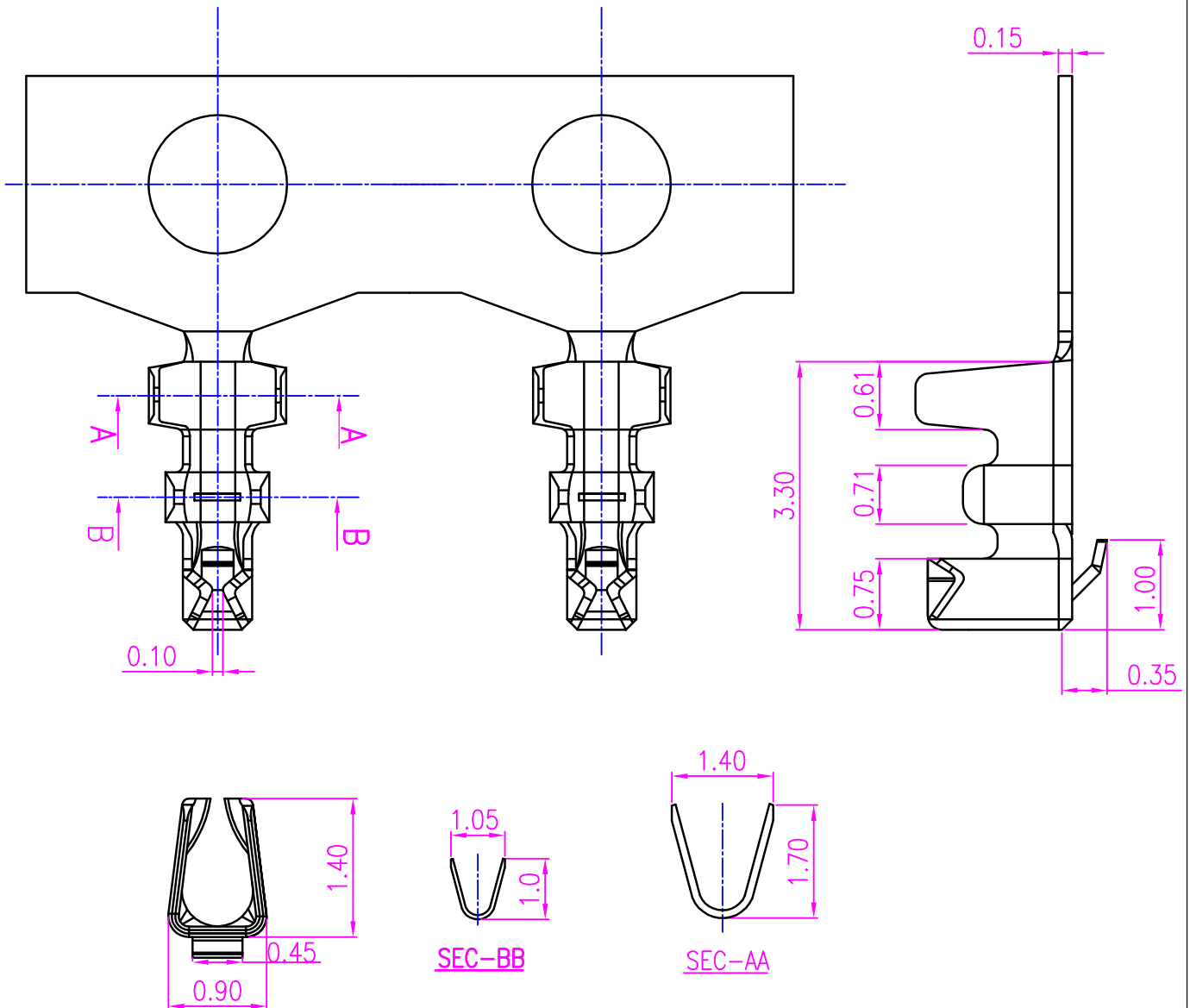
MOQ- -----  
SPQ- -----



# PROTECTRON ELECTROMECH (P) LTD

DESCRIPTION : CRIMP TERMINAL FOR 1.25mm PITCH RECEPTACLE HOUSING

PART NO: P9056T00-19



A	ORIGINAL	CHETAN	16.05.2011		
REV.	DESCRIPTION	DRN BY	DATE	CKED BY	APP'D BY
Projection: 		Scale: NTS	Sht. Size: A4	Gen. Tol.: $\pm 0.3\text{mm}$ $\pm 2'$	ALL DIMENSIONS ARE IN MM. IF UNLESS OTHERWISE SPECIFIED.