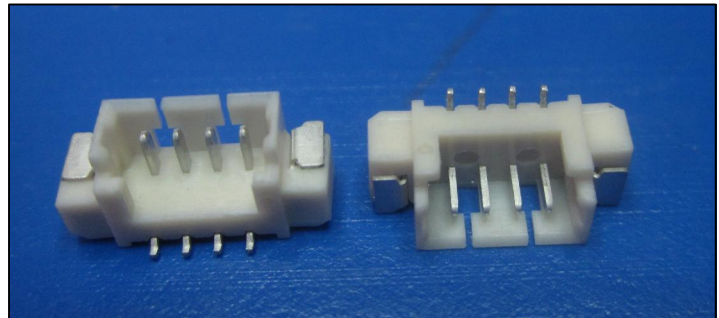


DESCRIPTION : 1.25mm PITCH WIRE TO BOARD HEADER,
SURFACE MOUNT TYPE ,RIGHT ANGLE

PART NO:P9056N29-19-X
X=NO. OF WAYS(2-18)

RoHS



PHYSICAL

INSULATION

MATERIAL : NYLON 6T
FLAMMABILITY : UL94V-0
COLOR : NATURAL COLOR

CONTACT

MATERIAL : COPPER ALLOY, TIN PLATED

PACKAGING TYPE

: BULK PACKING

ELECTRICAL

CURRENT RATING : 1A
INSULATION RESISTANCE : 500M OHMS MIN
DIELECTRIC WITHSTANDING : 500V AC/MIN
CONTACT RESISTANCE : 20m OHMS MAX
VOLTAGE RATING : 1000V AC/DC

ENVIRONMENTAL DATA

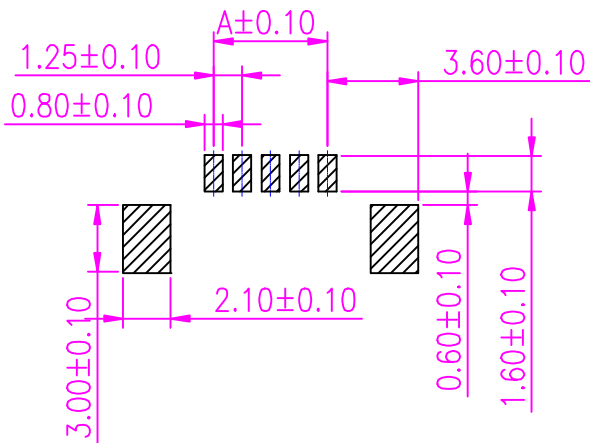
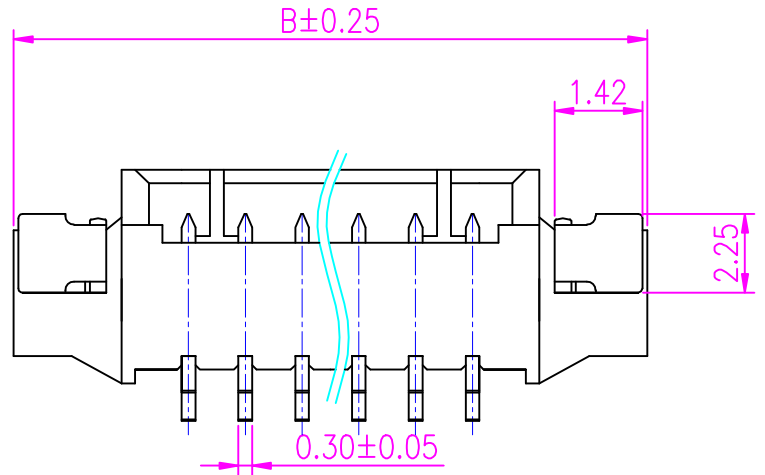
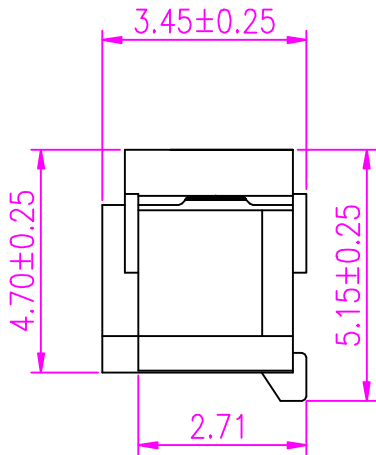
TEMPERATURE RANGE : -25° TO +85° C
PROCESS RATING : 230°C FOR 5SEC



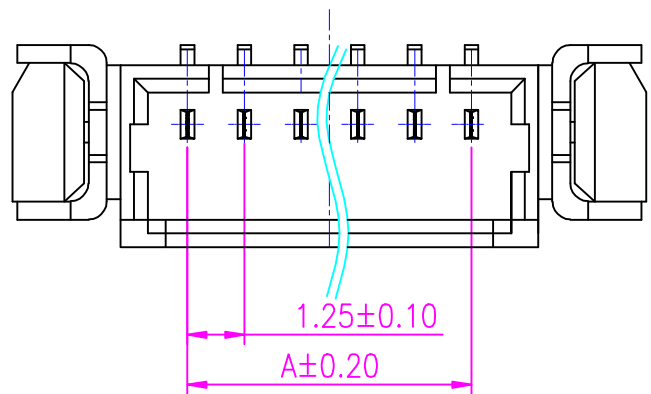
PROTECTRON ELECTROMECH (P) LTD

DESCRIPTION : 1.25mm PITCH WIRE TO BOARD HEADER,
SURFACE MOUNT TYPE ,RIGHT ANGLE

PART NO:P9056N29-19-X
X=NO. OF WAYS(2-18)



PCB LAYOUT



A	ORIGINAL	ANIL	27.02.2008		
REV.		DESCRIPTION	DRN BY	DATE	CKED BY APP'D BY

Projection: 	Scale: NTS	Sht. Size: A4	Gen. Tol.:±0.35mm	ALL DIMENSIONS ARE IN MM. IF UNLESS OTHERWISE SPECIFIED.
-----------------	------------	---------------	-------------------	-------------------------------------------------------------

DESCRIPTION : 1.25mm PITCH WIRE TO BOARD HEADER,
SURFACE MOUNT TYPE ,RIGHT ANGLE

PART NO:P9056N29-19-X
X=NO. OF WAYS(2-18)

ORDERING INFORMATION

P9056N29-19-X
 ↑
 NO OF WAYS
 (2-18)

PART NO.	DIM.A(mm)	DIM.B(mm)
P9056N29-19-2	1.25	7.75
P9056N29-19-3	2.50	9.00
P9056N29-19-4	3.75	10.25
P9056N29-19-5	5.0	11.50
P9056N29-19-6	6.25	12.75
P9056N29-19-7	7.50	14.00
P9056N29-19-8	8.75	15.25
P9056N29-19-9	10.00	16.50
P9056N29-19-A	11.25	17.75
P9056N29-19-B	12.50	19.00
P9056N29-19-C	13.75	20.25
P9056N29-19-D	15.00	21.50
P9056N29-19-E	16.25	22.75
P9056N29-19-F	17.50	24.00
P9056N29-19-G	18.75	25.25
P9056N29-19-H	20.00	26.50
P9056N29-19-I	21.25	27.75

MATES WITH

P9056H / P9056T

MOQ- ----

SPQ- ----