

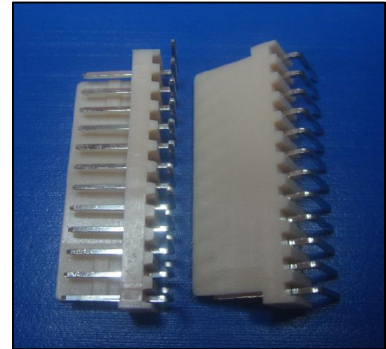


PROTECTRON ELECTROMECH (P) LTD

DESCRIPTION : 2.54mm PITCH CONNECTOR (WAFER WITH RAMP),
OPPOSITE RIGHT ANGLE

PART NO: P9050R029-19-X
X=NO. OF WAYS(2-20)

RoHS



PHYSICAL

INSULATION

MATERIAL	:	NYLON 66
FLAMMABILITY	:	UL94V-2
COLOR	:	NATURAL COLOR
CONTACT	:	BRASS, TIN PLATED
PACKAGING TYPE	:	BULK PACKING

ELECTRICAL

INSULATION RESISTANCE	:	1000M OHMS MIN
DIELECTRIC WITHSTANDING	:	1000V AC/MIN
CURRENT RATING	:	3A AC/DC
VOLTAGE RATING	:	250V AC/DC
CONTACT RESISTANCE	:	10m OHMS MAX

ENVIRONMENTAL DATA

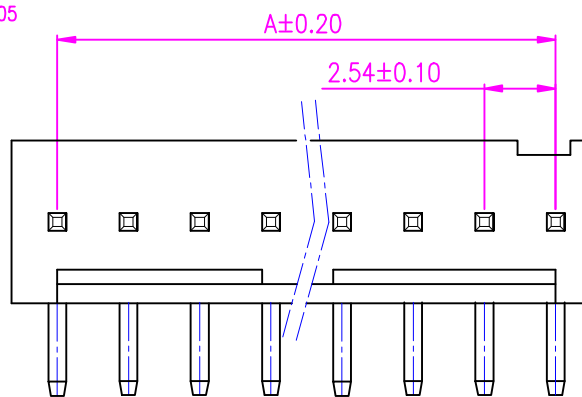
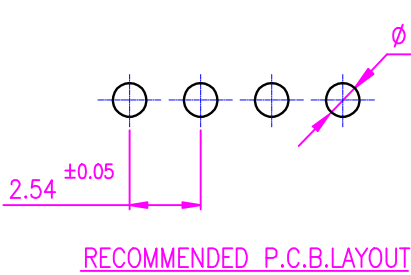
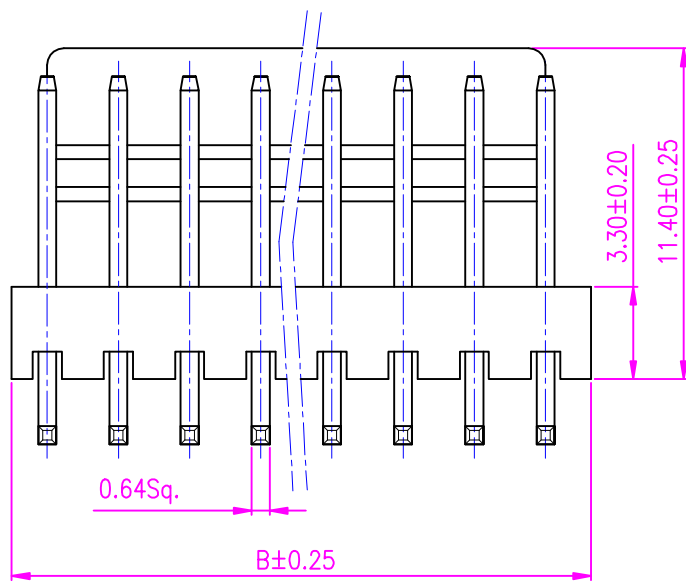
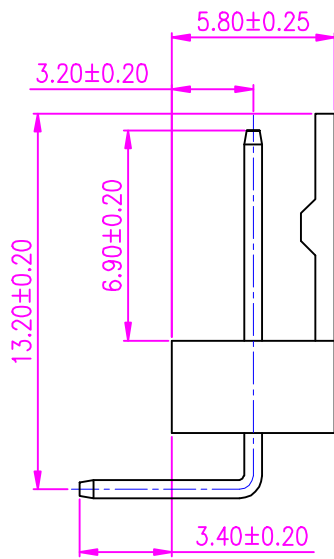
TEMPERATURE RANGE	:	-25° TO +85° C
PROCESS RATING	:	230°C FOR 5SEC



PROTECTRON ELECTROMECH (P) LTD

DESCRIPTION : 2.54mm PITCH CONNECTOR (WAFER WITH RAMP),
OPPOSITE RIGHT ANGLE

PART NO: P9050R029-19-X
X=NO. OF WAYS(2-20)



A	ORIGINAL	CHAITRA	04.12.2007		
REV.	DESCRIPTION		DRN. BY	DATE	CK'ED BY APP'D BY
Projection: 		Scale: NTS	Sht. Size: A4	Gen. Tol.: ±0.35mm	ALL DIMENSIONS ARE IN MM. IF UNLESS OTHERWISE SPECIFIED.



PROTECTRON ELECTROMECH (P) LTD

DESCRIPTION : 2.54mm PITCH CONNECTOR (WAFER WITH RAMP),
OPPOSITE RIGHT ANGLE

PART NO: P9050R029-19-X
X=NO. OF WAYS(2-20)

ORDERING INFORMATION

P9050R029-19-X

NO OF WAYS
(2-20)

NO. OF WAYS	DIMENSION		PART NUMBER (STRAIGHT)
	A	B	TIN PLATED
2	2.54	5.08	P9050R029-19-2
3	5.08	7.62	P9050R029-19-3
4	7.62	10.16	P9050R029-19-4
5	10.16	12.70	P9050R029-19-5
6	12.70	15.24	P9050R029-19-6
7	15.24	17.78	P9050R029-19-7
8	17.78	20.32	P9050R029-19-8
9	20.32	22.86	P9050R029-19-9
10	22.86	25.40	P9050R029-19-A
11	25.40	27.94	P9050R029-19-B
12	27.94	30.48	P9050R029-19-C
13	30.48	33.02	P9050R029-19-D
14	33.02	35.56	P9050R029-19-E
15	35.56	38.10	P9050R029-19-F
16	38.10	40.64	P9050R029-19-G
17	40.64	43.18	P9050R029-19-H
18	43.18	45.72	P9050R029-19-I
19	45.72	48.26	P9050R029-19-J
20	48.26	50.80	P9050R029-19-K

MATES WITH

ASSOCIATED CONNECTORS:
P9050T/P9050H SERIES

MOQ- ----

SPQ- ----