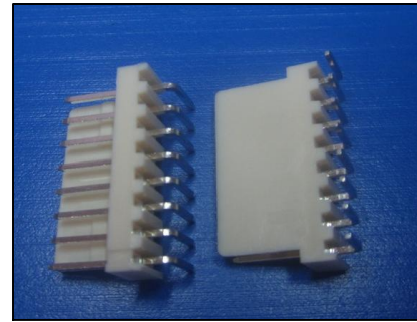


DESCRIPTION : 2.54mm PITCH CONNECTOR (WAFER WITH RAMP),
RIGHT ANGLE

PART NO: P9050R29-19-X
X=NO. OF WAYS(2-20)

RoHS



PHYSICAL DATA

INSULATION

MATERIAL : NYLON
 FLAMMABILITY : UL94V-0
 COLOR : NATURAL COLOR
 CONTACT : BRASS, TIN PLATED
PACKAGING TYPE : BULK PACKING

ELECTRICAL DATA

INSULATION RESISTANCE : 1000M OHMS MIN
DIELECTRIC WITHSTANDING : 1000V AC/MIN
CURRENT RATING : 4A AC/DC
VOLTAGE RATING : 250V AC/DC
CONTACT RESISTANCE : 20m OHMS MAX

ENVIRONMENTAL DATA

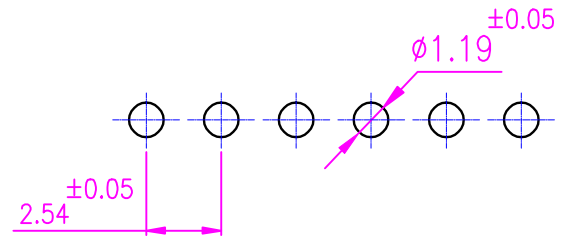
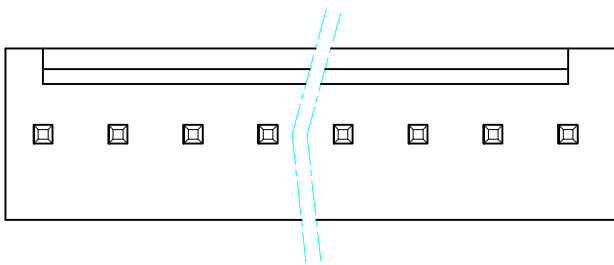
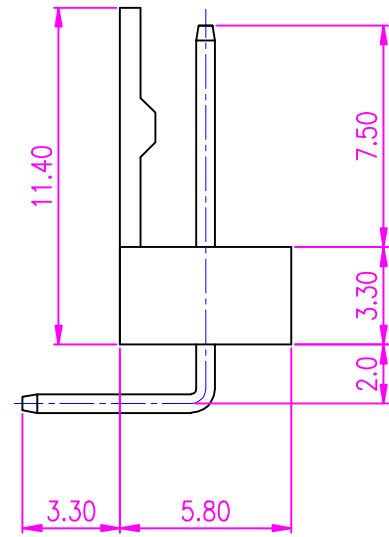
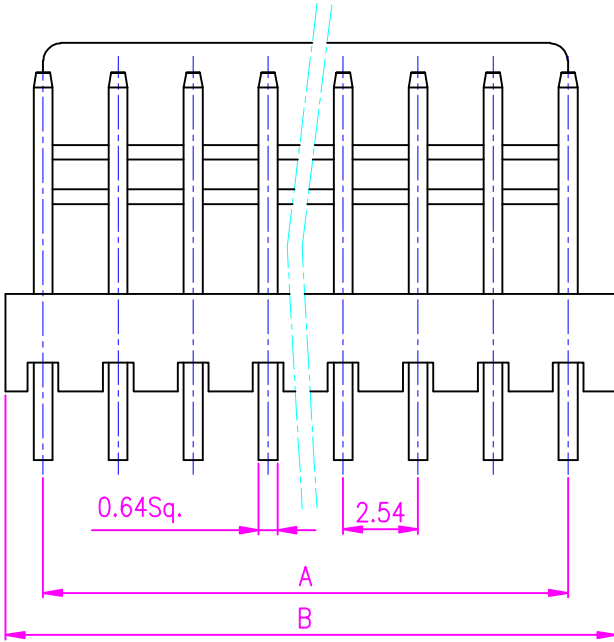
TEMPERATURE RANGE : -25° TO +85° C
PROCESS RATING : 230°C FOR 5SEC



PROTECTRON ELECTROMECH (P) LTD

DESCRIPTION : 2.54mm PITCH CONNECTOR (WAFER WITH RAMP),
RIGHT ANGLE

PART NO: P9050R29-19-X
X=NO. OF WAYS(2-20)



RECOMMENDED P.C.B.LAYOUT

A1	CURRENT CHANGED FROM 3A TO 4A , VOLTAGE RATING INCLUDED	SANDHYA	03.08.2005		
A	ORIGINAL	SACHIN	25.06.2003		
REV.	DESCRIPTION	DRN. BY	DATE	CK'ED BY	APP'D BY

Projection: 	Scale: NTS	Sht. Size: A4	Gen. Tol.: ±0.35mm	ALL DIMENSIONS ARE IN MM. IF UNLESS OTHERWISE SPECIFIED.
-----------------	------------	---------------	--------------------	---

DESCRIPTION : 2.54mm PITCH CONNECTOR (WAFER WITH RAMP),
RIGHT ANGLE

PART NO: P9050R29-19-X
X=NO. OF WAYS(2-20)

ORDERING INFORMATION

P9050R29-19-X
|
NO OF WAYS
(2-20)

NO. OF WAYS	DIMENSION		PART NUMBER (STRAIGHT)
	A	B	TIN PLATED
2	2.54	5.08	P9050R29-19-2
3	5.08	7.62	P9050R29-19-3
4	7.62	10.16	P9050R29-19-4
5	10.16	12.70	P9050R29-19-5
6	12.70	15.24	P9050R29-19-6
7	15.24	17.78	P9050R29-19-7
8	17.78	20.32	P9050R29-19-8
9	20.32	23.52	P9050R29-19-9
10	22.86	26.06	P9050R29-19-A
11	25.40	28.60	P9050R29-19-B
12	27.94	31.14	P9050R29-19-C
13	30.48	33.68	P9050R29-19-D
14	33.02	36.22	P9050R29-19-E
15	35.56	38.76	P9050R29-19-F
16	38.10	41.30	P9050R29-19-G
17	40.64	43.84	P9050R29-19-H
18	43.18	46.38	P9050R29-19-I
19	45.72	48.92	P9050R29-19-J
20	48.26	51.46	P9050R29-19-K

MATES WITH

ASSOCIATED CONNECTORS:
P9050T / P9050H SERIES

MOQ- ----

SPQ- ----