



PROTECTRON ELECTROMECH (P) LTD

DESCRIPTION : 4.20mm PITCH MINIFIT HOUSING, DOUBLE ROW

PART NO: P9049H29-00-X
X=NO. OF WAYS(2-24)

RoHS



PHYSICAL

INSULATION

MATERIAL	:	NYLON 66
FLAMMABILITY	:	UL94V-2
COLOR	:	NATURAL COLOR
PACKAGING TYPE	:	BULK PACKING

ELECTRICAL

INSULATION RESISTANCE	:	1000M OHMS MIN
DIELECTRIC WITHSTANDING	:	1500V AC/MIN
CURRENT RATING	:	7A AC/DC
VOLTAGE RATING	:	600V AC/DC
CONTACT RESISTANCE	:	10m OHMS MAX

ENVIRONMENTAL DATA

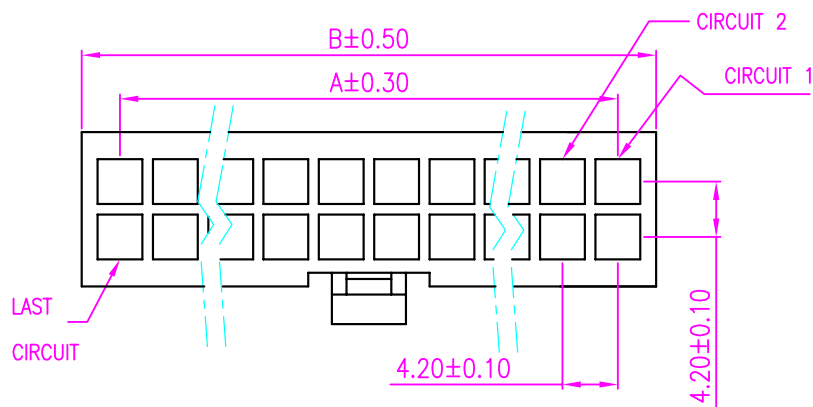
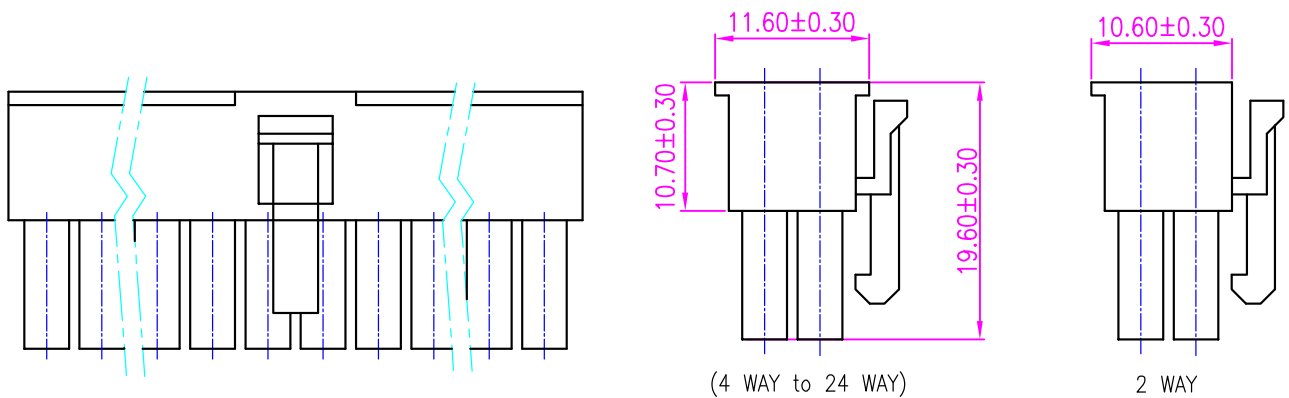
TEMPERATURE RANGE	:	-25° TO +85° C
-------------------	---	----------------



PROTECTRON ELECTROMECH (P) LTD

DESCRIPTION : 4.20mm PITCH MINIFIT HOUSING, DOUBLE ROW

PART NO: P9049H29-00-X
X=NO. OF WAYS(2-24)



A2	WIDTH DIMENSION FOR 2 WAY HAS BEEN ADDED AND GENERAL TOLERANCE HAS BEEN ADDED.	DIVYA	31.05.2014		
A1	DRAWING IS RE-DRAWN AND PART NUMBER TABLE ADDED	PREETHI	21.03.2007		
A	ORIGINAL	SACHIN	24.05.2004		

REV.	DESCRIPTION	DRN. BY	DATE	CK'ED BY	APP'D BY
------	-------------	---------	------	----------	----------

Projection: 	Scale: NTS	Sht. Size: A4	Gen. Tol.: ±0.25	ALL DIMENSIONS ARE IN MM. IF UNLESS OTHERWISE SPECIFIED.
-----------------	------------	---------------	------------------	---



PROTECTRON ELECTROMECH (P) LTD

DESCRIPTION : 4.20mm PITCH MINIFIT HOUSING, DOUBLE ROW

PART NO: P9049H29-00-X
X=NO. OF WAYS(2-24)

ORDERING INFORMATION

P9049H29-00-X

NO OF WAYS
(2-24)

CIRCUIT	PART NO.	DIMENSION	
		A	B
2	P9049H29-00-2	--	5.70
4	P9049H29-00-4	4.20	9.60
6	P9049H29-00-6	8.40	13.80
8	P9049H29-00-8	12.60	18.00
10	P9049H29-00-A	16.80	22.20
12	P9049H29-00-C	21.00	26.40
14	P9049H29-00-E	25.20	30.60
16	P9049H29-00-G	29.40	34.80
18	P9049H29-00-I	33.60	39.00
20	P9049H29-00-K	37.80	43.20
22	P9049H29-00-M	42.00	47.40
24	P9049H29-00-O	46.20	51.60

MATES WITH

CRIMP TERMINAL:
P9049T SERIES

HEADER:
P9049S/R SERIES

MOQ- ----

SPQ- ----