

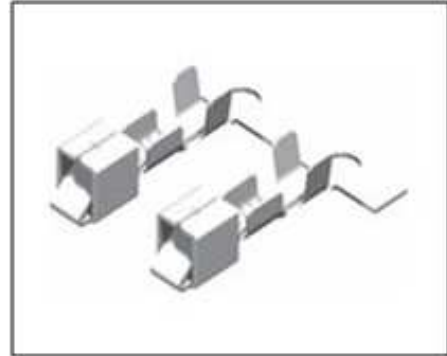


PROTECTRON ELECTROMECH (P) LTD

DESCRIPTION : CRIMP TERMINAL FOR 3.96mm PITCH
DISCONNECTABLE CONNECTOR

PART NO: P9046-00-2X
X=PLATING

RoHS



PHYSICAL

INSULATION

MATERIAL : COPPER ALLOY
CONTACT : TIN/GOLD PLATED
PACKAGING TYPE : BULK PACKING

ELECTRICAL

CURRENT RATING : 7A
INSULATION RESISTANCE : 1000M OHMS MIN
CONTACT RESISTANCE : 20m OHMS MAX

ENVIRONMENTAL DATA

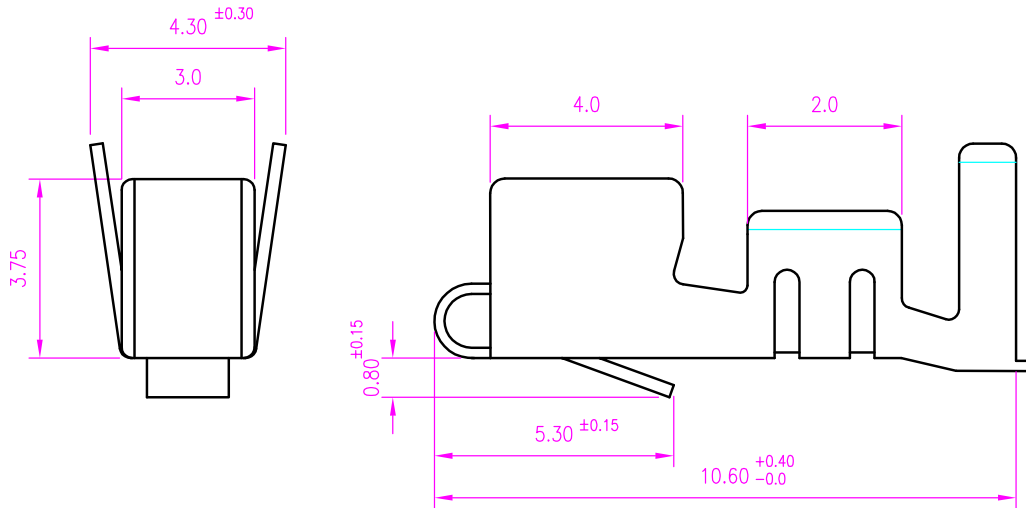
TEMPERATURE RANGE : -25° TO +85° C
PROCESS RATING : 230°C FOR 5SEC



PROTECTRON ELECTROMECH (P) LTD

DESCRIPTION : CRIMP TERMINAL FOR 3.96mm PITCH
DISCONNECTABLE CONNECTOR

PART NO: P9046-00-2X
X=PLATING



MATES WITH
P9045-HOUSING

ORDERING INFORMATION

P9046-00-2X

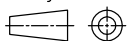
TYPE OF PLATING
(X=2=GOLD PLATING
X=9=TIN PLATING)

MOQ- ----

SPQ- ----

A2	PLATING OPTIONS PROVIDED IN THE PART NUMBER	SAMSON	29.07.2002		
A1	TOLERANCE INCLUDED TO 4.30 DIMN. & GENERAL TOLERANCE SPECIFIED	SAMSON	27.07.2002		
A	ORIGINAL	SAMSON	07.02.2000		
REV.	DESCRIPTION	DRN. BY	DATE	CK'ED BY	APP'D BY

Projection:



Scale: NTS

Sht. Size: A4

Gen. Tol.: ±0.13mm

ALL DIMENSIONS ARE IN MM.
IF UNLESS OTHERWISE SPECIFIED.