



PROTECTRON ELECTROMECH (P) LTD

DESCRIPTION : TERMINAL HOUSING, 4 POLE, 5.08mm PITCH
(DISK DRIVE CONNECTORS)

PART NO:P9041-29-00

RoHS



PHYSICAL

INSULATION

| | | |
|----------------|---|---------------|
| MATERIAL | : | NYLON 66 |
| FLAMMABILITY | : | UL94V-2 |
| COLOR | : | NATURAL COLOR |
| PACKAGING TYPE | : | BULK PACKING |

ELECTRICAL

| | | |
|-------------------------|---|----------------|
| CURRENT RATING | : | 7A AC/DC |
| VOLTAGE RATING | : | 250V AC/DC |
| INSULATION RESISTANCE | : | 1000M OHMS MIN |
| CONTACT RESISTANCE | : | 20m OHMS MAX |
| DIELECTRIC WITHSTANDING | : | 1500V AC/MIN |

ENVIRONMENTAL DATA

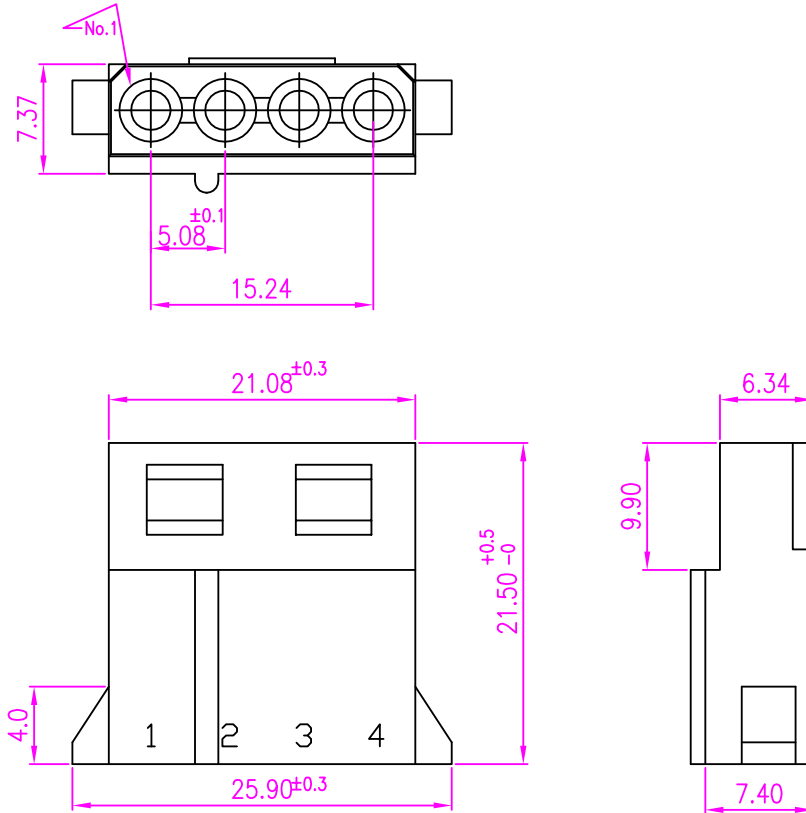
| | | |
|-------------------|---|------------------|
| TEMPERATURE RANGE | : | -25° TO +85° C |
| PROCESS RATING | : | +230°C 5 SECONDS |



PROTECTRON ELECTROMECH (P) LTD

DESCRIPTION : TERMINAL HOUSING, 4 POLE, 5.08mm PITCH
(DISK DRIVE CONNECTORS)

PART NO: P9041-29-00



MATES WITH

P9040-29-19
P9042-00-29

ORDERING INFORMATION

P9041-29-00

MOQ- ----
SPQ- ----

| | | | | | |
|------|--------------------------------------|---------|------------|----------|----------|
| A1 | INCLUDED IN TECH. DATA & DRG REDRAWN | SANDHYA | 19.09.2005 | | |
| A | ORIGINAL | JJ | 21.01.1999 | | |
| REV. | DESCRIPTION | DRN. BY | DATE | CK'ED BY | APP'D BY |

Projection:



Scale: NTS

Sht. Size: A4

Gen. Tol.: ±0.35mm

ALL DIMENSIONS ARE IN MM.
IF UNLESS OTHERWISE SPECIFIED.