

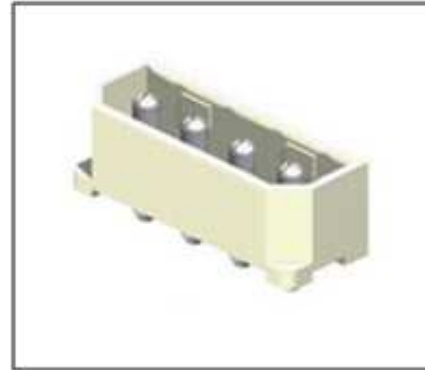


PROTECTRON ELECTROMECH (P) LTD

DESCRIPTION : MALE HEADER, ST, 4 POLE, 5.08mm PITCH(DISK DRIVE CONNECTORS)

PART NO:P9040-29-19

RoHS



PHYSICAL

INSULATION

MATERIAL : NYLON 66

FLAMMABILITY : UL94V-2

COLOR : NATURAL COLOR

CONTACT : BRASS, TIN PLATING

PACKAGING TYPE : BULK PACKING

ELECTRICAL

CURRENT RATING : 7A AC/DC

VOLTAGE RATING : 250V AC/DC

INSULATION RESISTANCE : 1000M OHMS MIN

CONTACT RESISTANCE : 20m OHMS MAX

DIELECTRIC WITHSTANDING : 1500V AC/MIN

ENVIRONMENTAL DATA

TEMPERATURE RANGE : -25° TO +85° C

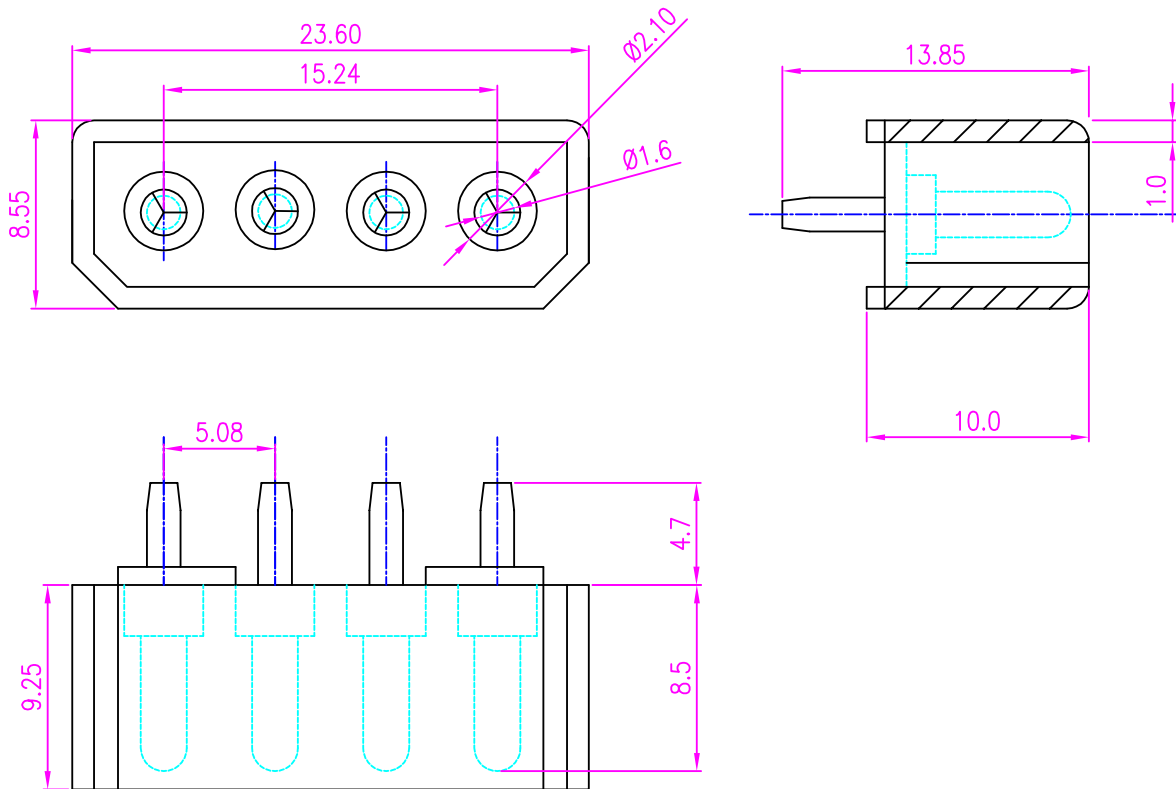
PROCESS RATING : +230°C 5 SECONDS



PROTECTRON ELECTROMECH (P) LTD

DESCRIPTION : MALE HEADER, ST, 4 POLE, 5.08mm PITCH(DISK DRIVE CONNECTORS)

PART NO:P9040-29-19



MATES WITH

P9041-29-00
P9042-00-29

ORDERING INFORMATION

P9040-29-19

MOQ- ----

SPQ- ----

A2	DESIGN CHANGE	ANIL	31.07.2008		
A1	INCLUDED IN TECH. DATA & DRG. REDRAWN	SANDHYA	19.09.2005		
A	ORIGINAL	JJ	13.07.1999		
REV.	DESCRIPTION	DRN. BY	DATE	CK'ED BY	APP'D BY

Projection:



Scale: NTS

Sht. Size: A4

Gen. Tol.: ±0.25

ALL DIMENSIONS ARE IN MM.
IF UNLESS OTHERWISE SPECIFIED.