



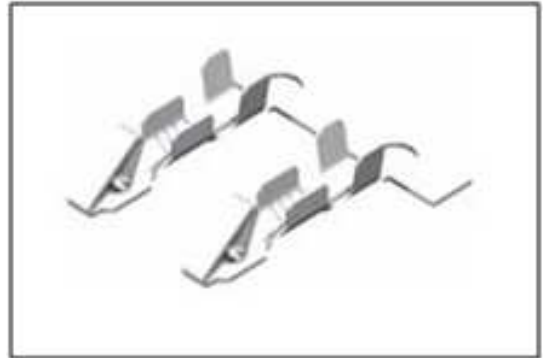
PROTECTRON ELECTROMECH (P) LTD

DESCRIPTION : CRIMP TERMINAL

PART NO: P9036-00-2X-2

X=2=GOLD PLATED
X=9=TIN PLATED

RoHS



PHYSICAL

MATERIAL :

TERMINAL :

PACKAGING TYPE :

COPPER ALLOY, TIN/GOLD PLATED

BULK PACKING

ORDERING INFORMATION

P9036-00-2X-2

X=2=GOLD PLATED

X=9=TIN PLATED

MATES WITH

APPLICABLE WIRE:

18-22AWG

INSULATION OD:

2.80mm MAX

MOQ- ----

SPQ- ----

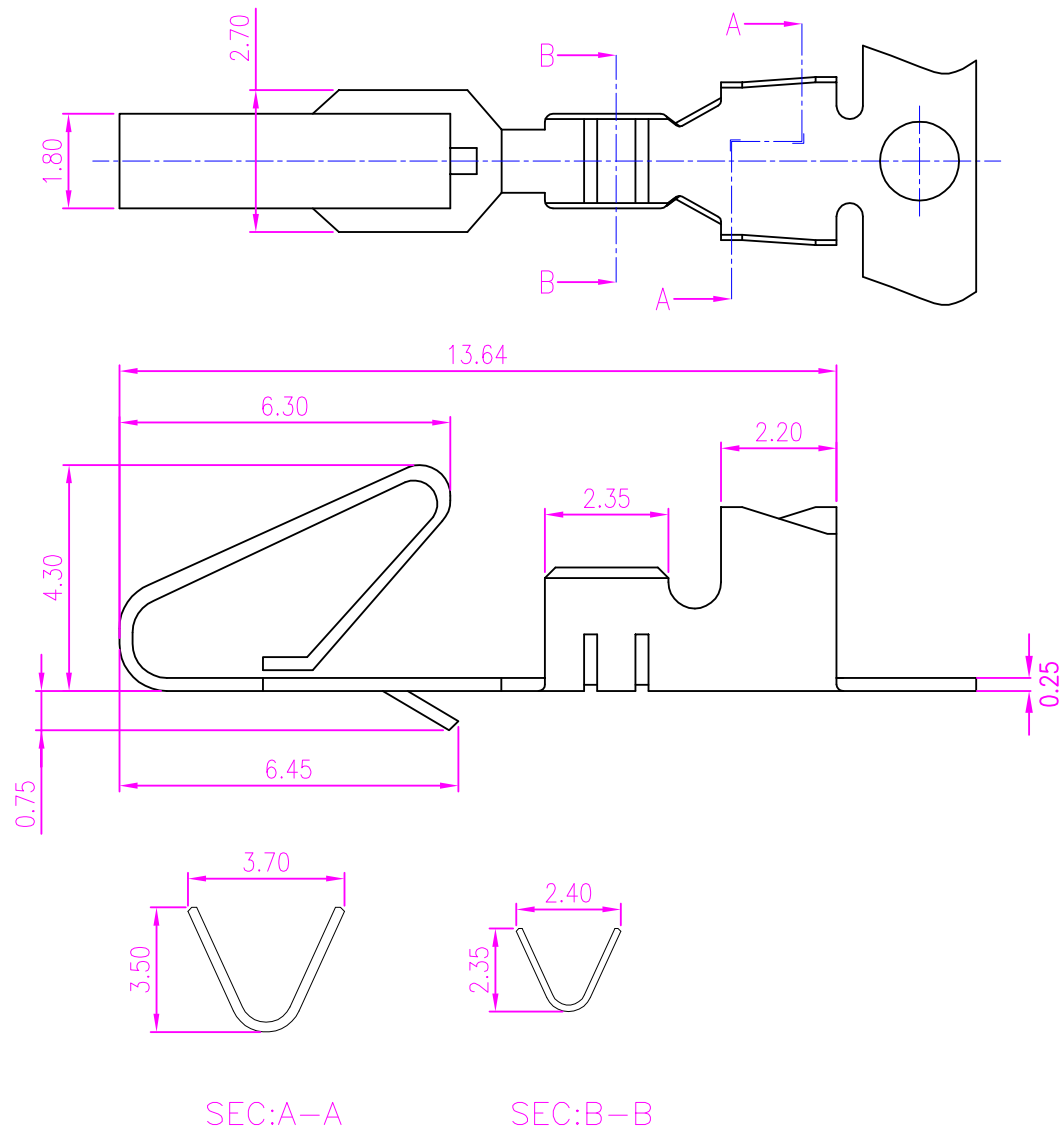


PROTECTRON ELECTROMECH (P) LTD

DESCRIPTION : CRIMP TERMINAL

PART NO: P9036-00-2X-2

X=2=GOLD PLATED
X=9=TIN PLATED



A1	DRAWING REVISED	CHETAN	18.07.2011		
A	ORIGINAL	JJ	17.09.1998		
REV.	DESCRIPTION		DRN. BY	DATE	CK'ED BY APP'D BY



Scale: NTS

Sht. Size: A4

Gen. Tol.: $\pm 0.1\text{mm}$
 $\pm 1^\circ$

ALL DIMENSIONS ARE IN MM.
IF UNLESS OTHERWISE SPECIFIED.