

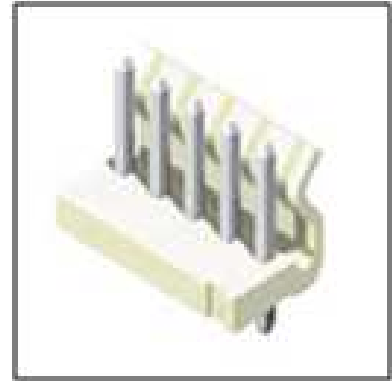


PROTECTRON ELECTROMECH (P) LTD

DESCRIPTION : WAFER 3.96mm PITCH, WITH RAMP, STRAIGHT

PART NO: P9031-29-1X-X
(SEE TABLE)

RoHS



PHYSICAL

INSULATION

MATERIAL	:	NYLON
FLAMMABILITY	:	UL94V-0, FR GRADE
COLOR	:	NATURAL COLOR
CONTACT	:	BRASS, TIN OR GOLD PLATED
PACKAGING TYPE	:	BULK PACKING

ELECTRICAL

CURRENT RATING	:	7A
INSULATION RESISTANCE	:	5000M OHMS MIN
DIELECTRIC WITHSTANDING	:	1500V AC/MIN
CONTACT RESISTANCE	:	20m OHMS MAX
VOLTAGE RATING	:	250V AC/DC

ENVIRONMENTAL DATA

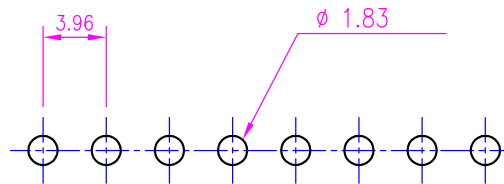
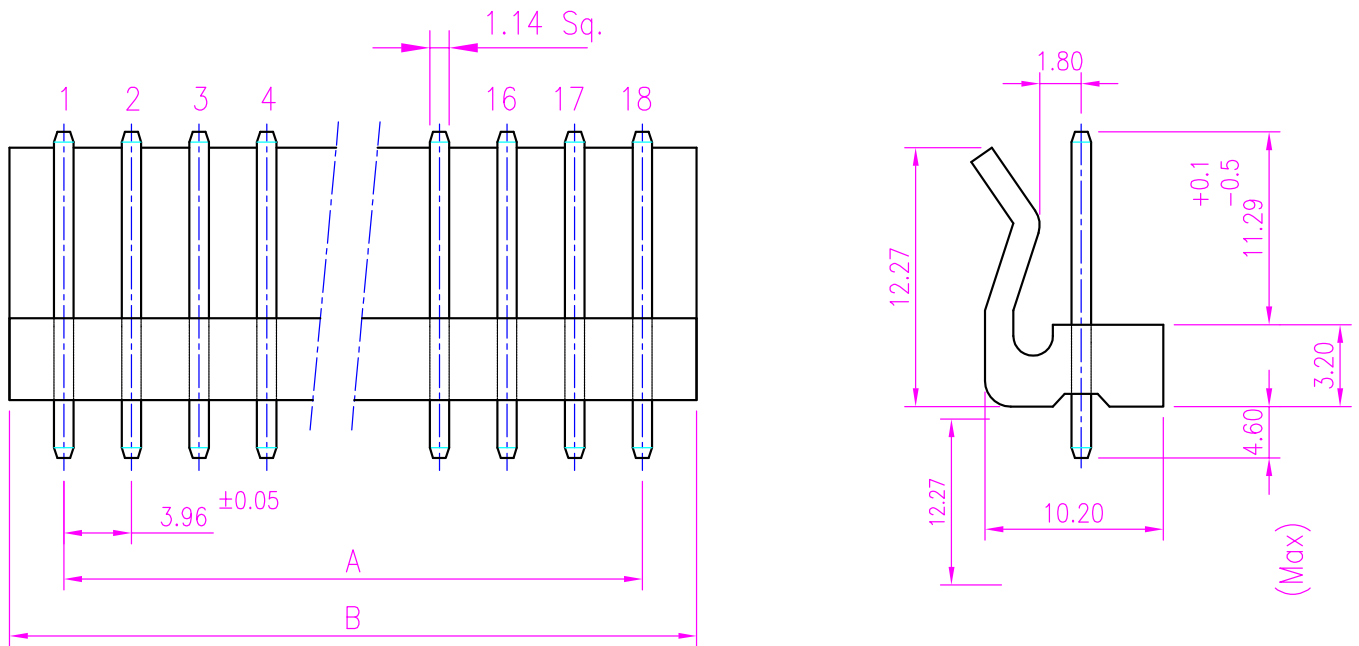
TEMPERATURE RANGE	:	-40° TO +104° C
PROCESS RATING	:	230°C FOR 5SEC



PROTECTRON ELECTROMECH (P) LTD

DESCRIPTION : WAFER 3.96mm PITCH, WITH RAMP, STRAIGHT

PART NO: P9031-29-1X-X
(SEE TABLE)



PCB HOLE DIMENSIONS

A1	MATERIAL DETAILS ADDED.	SACHIN	17.07.2004			
A	ORIGINAL	SAMSON	26.04.2000			
REV.	DESCRIPTION		DRN. BY	DATE	CK'ED BY	APP'D BY
Projection: 		Scale: NTS	Sht. Size: A4	Gen. Tol.: ±0.35mm	ALL DIMENSIONS ARE IN MM. IF UNLESS OTHERWISE SPECIFIED.	



PROTECTRON ELECTROMECH (P) LTD

DESCRIPTION : WAFER 3.96mm PITCH, WITH RAMP, STRAIGHT

PART NO: P9031-29-1X-X
(SEE TABLE)

ORDERING INFORMATION

P9031-29-1X-X

NO OF WAYS
(2-18)

No. OF WAYS	DIMENSION		PART NUMBER	
	A±0.1	B±1.0	NATURAL COLOUR	
			TIN PLATED	GOLD PLATED
2	3.96	7.56	P9031-29-19-2	P9031-29-12-2
3	7.92	11.52	P9031-29-19-3	P9031-29-12-3
4	11.88	15.48	P9031-29-19-4	P9031-29-12-4
5	15.84	19.44	P9031-29-19-5	P9031-29-12-5
6	19.80	23.40	P9031-29-19-6	P9031-29-12-6
7	23.76	27.36	P9031-29-19-7	P9031-29-12-7
8	27.72	31.32	P9031-29-19-8	P9031-29-12-8
9	31.68	35.28	P9031-29-19-9	P9031-29-12-9
10	35.64	39.24	P9031-29-19-A	P9031-29-12-A
11	39.60	43.20	P9031-29-19-B	P9031-29-12-B
12	43.56	47.15	P9031-29-19-C	P9031-29-12-C
13	47.52	51.12	P9031-29-19-D	P9031-29-12-D
14	51.48	55.08	P9031-29-19-E	P9031-29-12-E
15	55.44	59.04	P9031-29-19-F	P9031-29-12-F
16	59.40	63.00	P9031-29-19-G	P9031-29-12-G
17	63.36	66.96	P9031-29-19-H	P9031-29-12-H
18	67.32	70.92	P9031-29-19-I	P9031-29-12-I

MATES WITH

P9035-HOUSING
P9036-TERMINAL

MOQ- ----

SPQ- ----



PROTECTRON ELECTROMECH (P) LTD

DESCRIPTION : WAFER 3.96mm PITCH, WITH RAMP, RIGHT ANGLE

PART NO: P9032-29-1X-X
(SEE TABLE)

RoHS



PHYSICAL

INSULATION	:	
MATERIAL	:	NYLON
FLAMMABILITY	:	UL94V-0, FR GRADE
COLOR	:	NATURAL COLOR
CONTACT	:	COPPER ALLOY, TIN/GOLD PLATED
PACKAGING TYPE	:	BULK PACKING

ELECTRICAL

CURRENT RATING	:	7A
INSULATION RESISTANCE	:	1000M OHMS MIN
DIELECTRIC WITHSTANDING	:	1500V AC/MIN
CONTACT RESISTANCE	:	20m OHMS MAX

ENVIRONMENTAL DATA

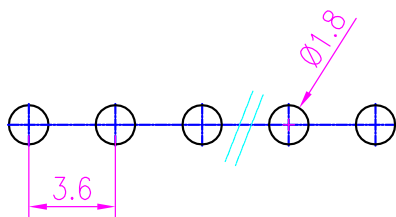
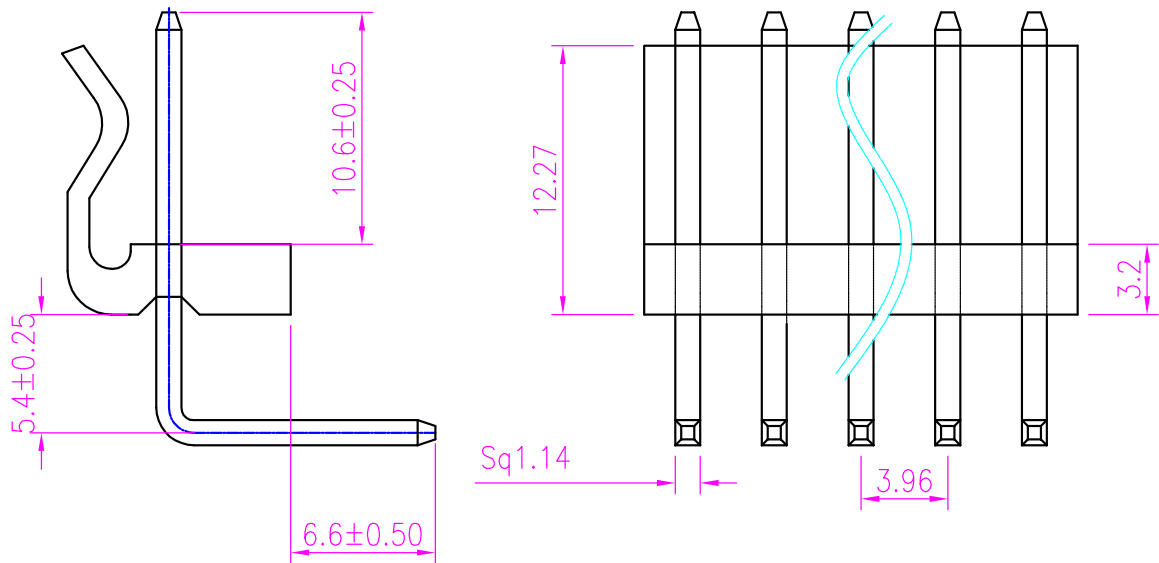
TEMPERATURE RANGE	:	-40° TO +105° C
PROCESS RATING	:	230°C FOR 5SEC



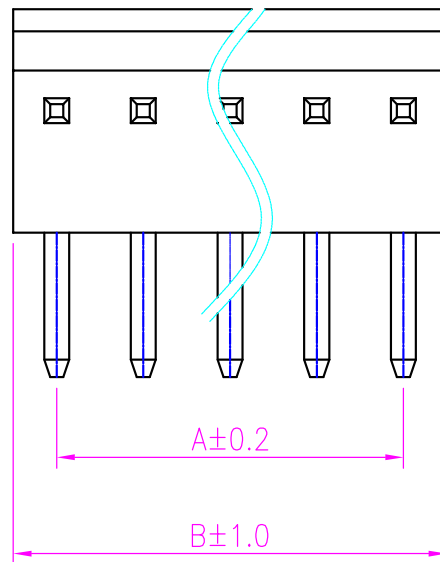
PROTECTRON ELECTROMECH (P) LTD

DESCRIPTION : WAFER 3.96mm PITCH, WITH RAMP, RIGHT ANGLE

PART NO: P9032-29-1X-X
(SEE TABLE)

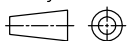


RECOMMENDED PCB LAYOUT
(PCB TOLERANCE ±0.05)



A1	DIMENSIONS REVISED	SUJATHA	14.04.2014		
A	ORIGINAL	SAMSON	26.04.2000		
REV.	DESCRIPTION	DRN. BY	DATE	CK'ED BY	APP'D BY

Projection:



Scale: NTS

Sht. Size: A4

Gen. Tol.: ±0.2mm
±2°

ALL DIMENSIONS ARE IN MM.
IF UNLESS OTHERWISE SPECIFIED.



PROTECTRON ELECTROMECH (P) LTD

DESCRIPTION : WAFER 3.96mm PITCH, WITH RAMP, RIGHT ANGLE

PART NO: P9032-29-1X-X
(SEE TABLE)

ORDERING INFORMATION

P9032-29-1X-X



No. OF WAYS	DIMENSION		PART NUMBER	
	A ±0.1	B ±1.0	NATURAL COLOUR	
			TIN PLATED	GOLD PLATED
2	3.96	7.56	P9032-29-19-2	P9032-29-12-2
3	7.92	11.52	P9032-29-19-3	P9032-29-12-3
4	11.88	15.48	P9032-29-19-4	P9032-29-12-4
5	15.84	19.44	P9032-29-19-5	P9032-29-12-5
6	19.80	23.40	P9032-29-19-6	P9032-29-12-6
7	23.76	27.36	P9032-29-19-7	P9032-29-12-7
8	27.72	31.32	P9032-29-19-8	P9032-29-12-8
9	31.68	35.28	P9032-29-19-9	P9032-29-12-9
10	35.64	39.24	P9032-29-19-A	P9032-29-12-A
11	39.60	43.20	P9032-29-19-B	P9032-29-12-B
12	43.56	47.15	P9032-29-19-C	P9032-29-12-C
13	47.52	51.12	P9032-29-19-D	P9032-29-12-D
14	51.48	55.08	P9032-29-19-E	P9032-29-12-E
15	55.44	59.04	P9032-29-19-F	P9032-29-12-F
16	59.40	63.00	P9032-29-19-G	P9032-29-12-G
17	63.36	66.96	P9032-29-19-H	P9032-29-12-H
18	67.32	70.92	P9032-29-19-I	P9032-29-12-I

MATES WITH

P9035-HOUSING

P9036-TERMINAL

MOQ- ----

SPQ- ----

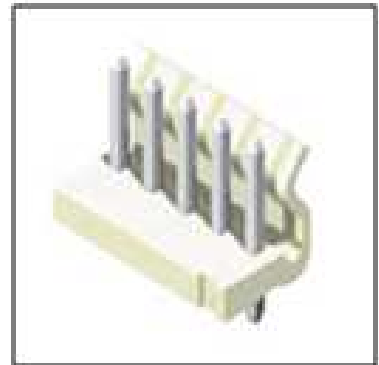


PROTECTRON ELECTROMECH (P) LTD

DESCRIPTION : WAFER 3.96mm PITCH, WITH RAMP, STRAIGHT,
PIN LEN 19.00mm

PART NO:P9031D-29-19-X
(SEE TABLE)

RoHS



PHYSICAL

INSULATION

MATERIAL	:	NYLON
FLAMMABILITY	:	UL94V-0
COLOR	:	NATURAL COLOR
CONTACT	:	BRASS, TIN PLATED
PACKAGING TYPE	:	BULK PACKING

ELECTRICAL

CURRENT RATING	:	7A
INSULATION RESISTANCE	:	5000M OHMS MIN
DIELECTRIC WITHSTANDING	:	1500V AC/MIN
CONTACT RESISTANCE	:	20m OHMS MAX
VOLTAGE RATING	:	250V AC/DC

MECHANICAL DATA

RETENTION FORCE	:	2.50 kg MIN
-----------------	---	-------------

ENVIRONMENTAL DATA

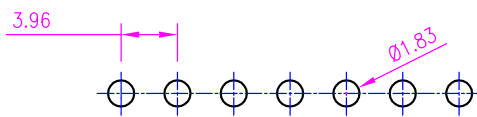
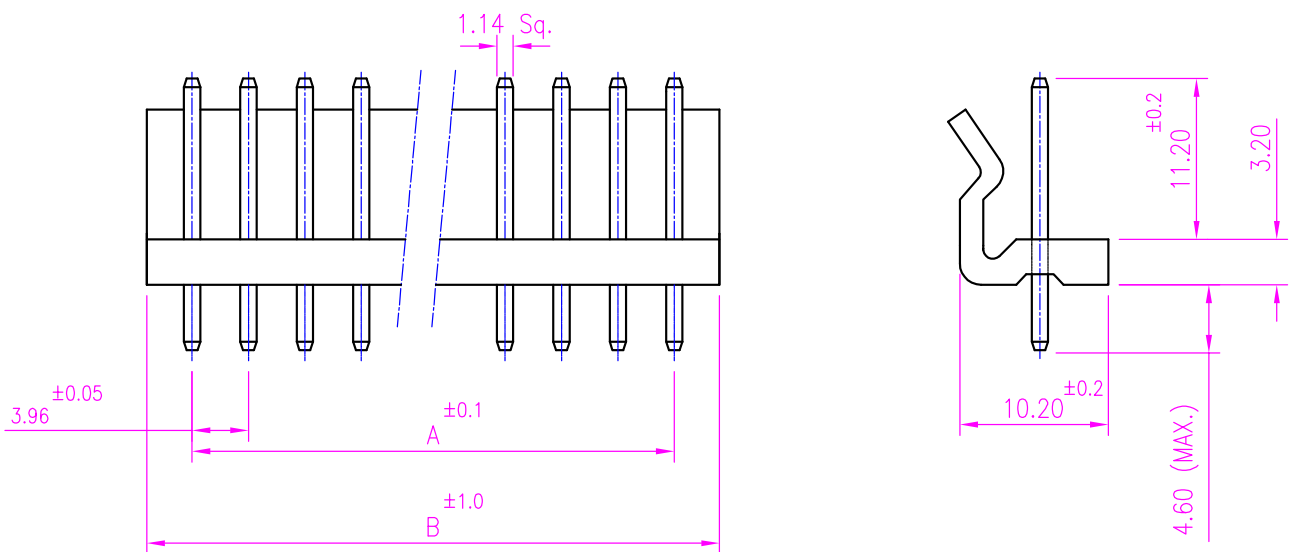
TEMPERATURE RANGE	:	-40° TO +104° C
PROCESS RATING	:	230°C FOR 5SEC



PROTECTRON ELECTROMECH (P) LTD

DESCRIPTION : WAFER 3.96mm PITCH, WITH RAMP, STRAIGHT,
PIN LEN 19.00mm

PART NO: P9031D-29-19-X
(SEE TABLE)



RECOMMENDED PCB LAYOUT

A	ORIGINAL	SANDHYA	19.04.2007			
REV.	DESCRIPTION		DRN. BY	DATE	CK'ED BY	APP'D BY
Projection: 		Scale: NTS	Sht. Size: A4	Gen. Tol.: ±0.35mm	ALL DIMENSIONS ARE IN MM. IF UNLESS OTHERWISE SPECIFIED.	



PROTECTRON ELECTROMECH (P) LTD

DESCRIPTION : WAFER 3.96mm PITCH, WITH RAMP, STRAIGHT,
PIN LEN 19.00mm

PART NO:P9031D-29-19-X
(SEE TABLE)

ORDERING INFORMATION

P9031D-29-19-X

NO OF WAYS
(2-18)

No. OF WAYS	DIMENSION		PART NUMBER
	A	B	
2	3.96	7.56	P9031D-29-19-2
3	7.92	11.52	P9031D-29-19-3
4	11.88	15.48	P9031D-29-19-4
5	15.84	19.44	P9031D-29-19-5
6	19.80	23.40	P9031D-29-19-6
7	23.76	27.36	P9031D-29-19-7
8	27.72	31.32	P9031D-29-19-8
9	31.68	35.28	P9031D-29-19-9
10	35.64	39.24	P9031D-29-19-A
11	39.60	43.20	P9031D-29-19-B
12	43.56	47.15	P9031D-29-19-C
13	47.52	51.12	P9031D-29-19-D
14	51.48	55.08	P9031D-29-19-E
15	55.44	59.04	P9031D-29-19-F
16	59.40	63.00	P9031D-29-19-G
17	63.36	66.96	P9031D-29-19-H
18	67.32	70.92	P9031D-29-19-I

MATES WITH

P9035-HOUSING
P9036-TERMINAL

MOQ- ----

SPQ- ----