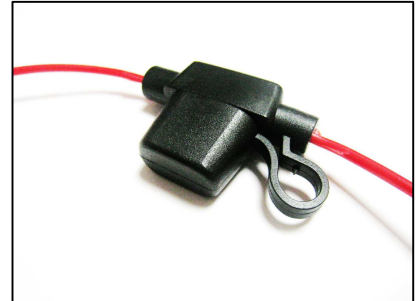




PROTECTRON ELECTROMECH (P) LTD

DESCRIPTION : INLINE FUSE HOLDER FOR MINI-BLADE FUSE

PART NO: P8041-19



PHYSICAL DATA

MOLDED PARTS : PVC, UL94V-0
TERMINALS : BRASS, TIN PLATED

ELECTRICAL DATA

CURRENT RATING : 3A MAX
INSULATION RESISTANCE : 100M Ω MIN AT 500V DC
CONTACT RESISTANCE : 5m Ω MAX. AT 1A DC

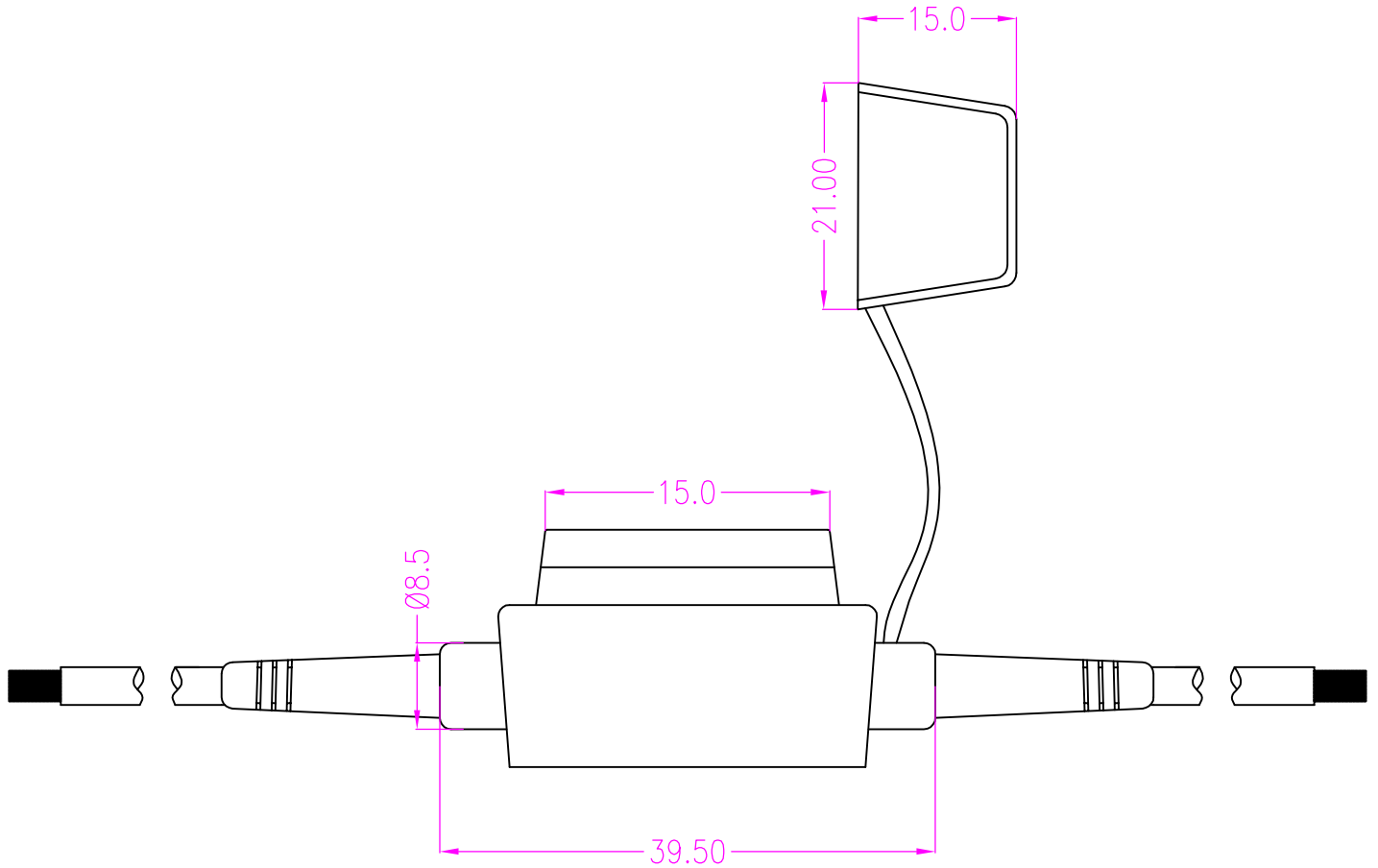
WIRE : 18AWG 6" LENGTH EACH END



PROTECTRON ELECTROMECH (P) LTD

DESCRIPTION : INLINE FUSE HOLDER FOR MINI-BLADE FUSE

PART NO: P8041-19



ORDERING INFORMATION

P8041-19

A	ORIGINAL	VENILA	20.04.2015			
REV.	DESCRIPTION		DRN. BY	DATE	CK'ED BY	APP'D BY
Projection: 		Scale: NTS	Sht. Size: A4	Gen. Tol.: ±0.5mm ±2'	ALL DIMENSIONS ARE IN MM. IF UNLESS OTHERWISE SPECIFIED.	

<http://www.protectron.in>
protectron@protectron.in