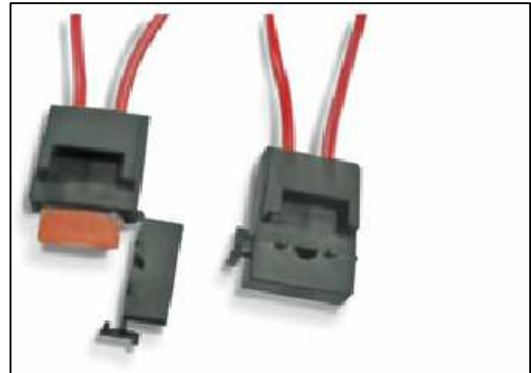




PROTECTRON ELECTROMECH (P) LTD

DESCRIPTION :IN LINE FUSE HOLDER FOR BLADE FUSE

PART NO: P8039-15



MATERIAL

MOLDED PARTS	:	NYLON
UL WIRE	:	14AWG/8" LOOP
TERMINAL	:	BRASS

ELECTRICAL

RATED CURRENT	:	20A MAX
VOLTAGE DROP	:	20 m V MAX
INSULATION RESISTANCE AT 500 V DC	:	100 M OHMS Min
CONTACT RESISTANCE AT 1 AMPS DC	:	5 m OHMS MAX
DIELECTRIC STRENGTH FOR 60 SEC	:	AC 1500 V MIN

MECHANICAL DATA

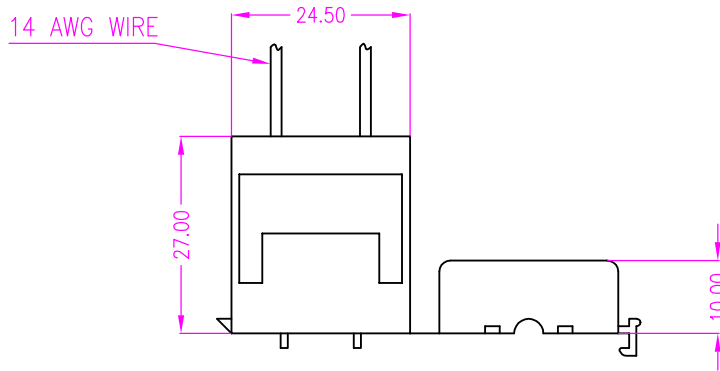
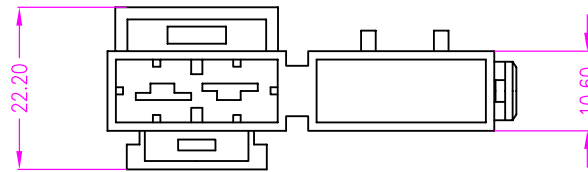
INSERTION & EXTRACTION FORCE	:	1 Kg Min
TEMPERATURE RISE	:	50°C MAX



PROTECTRON ELECTROMECH (P) LTD

DESCRIPTION : IN LINE FUSE HOLDER FOR BLADE FUSE

PART NO: P8039-15



ORDERING INFORMATION

P8039-15

MOQ- ----

SPQ- ----

A	ORIGINAL	RAVISH.S	29.06.2010		
REV.	DESCRIPTION		DRN. BY	DATE	CK'ED BY

Projection: 	Scale: NTS	Sht. Size: A4	Gen. Tol.: ±1.5mm ±0.2°	ALL DIMENSIONS ARE IN MM. IF UNLESS OTHERWISE SPECIFIED.
-----------------	------------	---------------	----------------------------	---