



PROTECTRON ELECTROMECH (P) LTD

DESCRIPTION :PCB MOUNT CLIPS FOR ϕ 6.35mm FUSE, 7.50mm
PITCH

PART NO: P8038-01

RoHS



MATERIAL

CLIP : PHOSPHOR BRONZE, TIN PLATING
PACKING : 1000Nos. min. IN POLY PAGS

ORDERING INFORMATION

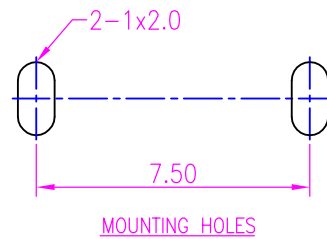
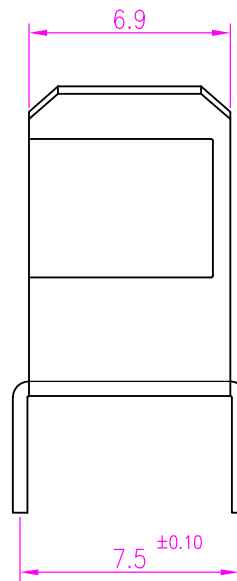
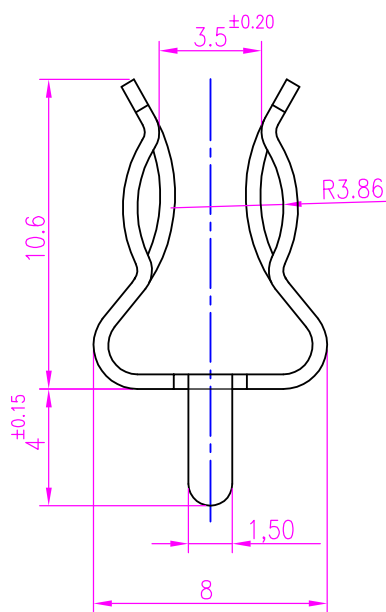
P8038-01



PROTECTRON ELECTROMECH (P) LTD

DESCRIPTION :PCB MOUNT CLIPS FOR $\phi 6.35\text{mm}$ FUSE, 7.50mm PITCH

PART NO: P8038-01



A	ORIGINAL		SACHIN	22.03.2005		
REV.	DESCRIPTION			DRN. BY	DATE	CK'ED BY APP'D BY
Projection: 		Scale: NTS	Sht. Size: A4	Gen. Tol.: $\pm 0.25\text{mm}$	ALL DIMENSIONS ARE IN MM. IF UNLESS OTHERWISE SPECIFIED.	