



# PROTECTRON ELECTROMECH (P) LTD

DESCRIPTION :P.C.B MOUNT FUSE CLIPS WITH STANDOFF FOR  
ø5.20mm

PART NO: P8035-10-29

RoHS



## MATERIAL

CLIP : PHOSPHOR BRONZE, TIN PLATED.  
PACKING : 1000Nos. min. IN POLY BAGS

### ORDERING INFORMATION

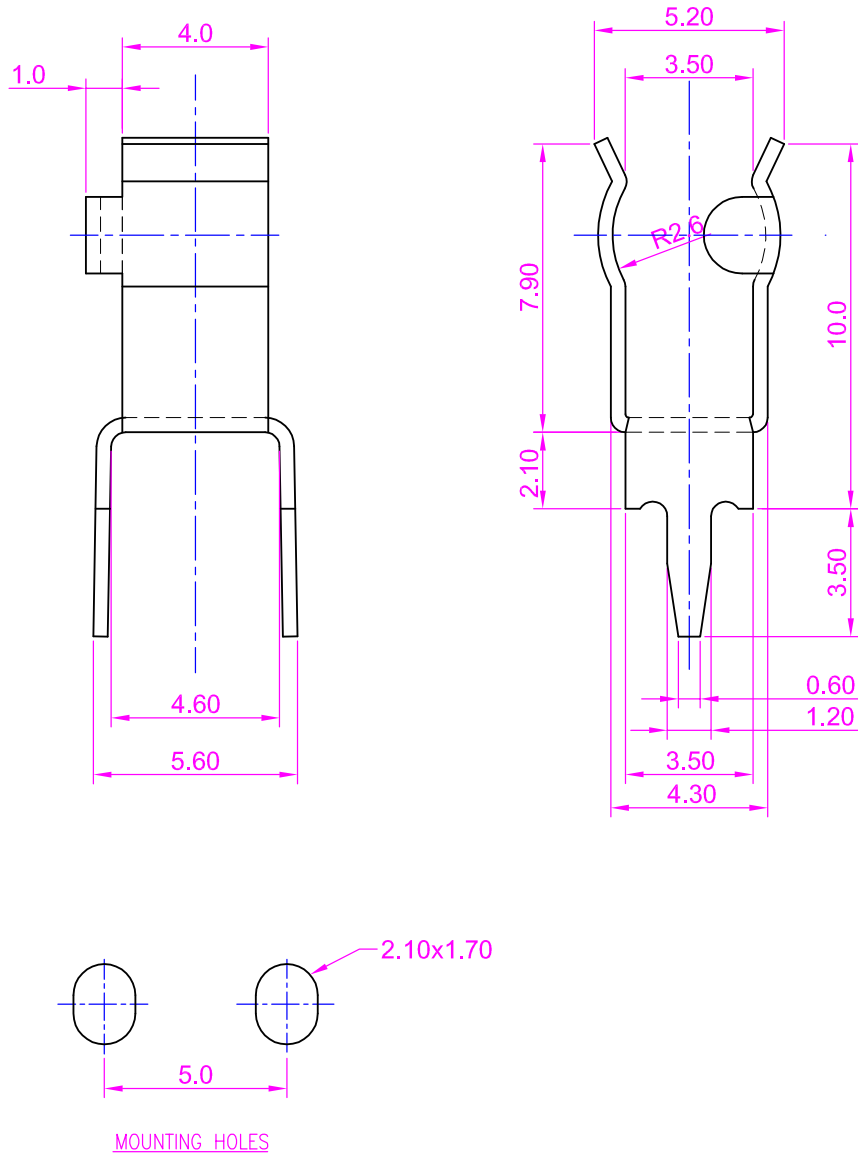
P8035-10-29



# PROTECTRON ELECTROMECH (P) LTD

DESCRIPTION : P.C.B MOUNT FUSE CLIPS WITH STANDOFF FOR  
 $\phi 5.20\text{mm}$

PART NO: P8035-10-29



A	ORIGINAL	SACHIN	18.08.2004		
REV.	DESCRIPTION	DRN. BY	DATE	CK'ED BY	APP'D BY
Projection: 	Scale: NTS	Sht. Size: A4	Gen. Tol.: $\pm 0.25\text{mm}$	ALL DIMENSIONS ARE IN MM. IF UNLESS OTHERWISE SPECIFIED.	

<http://www.protectron.in>  
 protectron@protectron.in