



PROTECTRON ELECTROMECH (P) LTD

DESCRIPTION : FUSE CLIP OF 6.0mm PITCH FOR 5x20mm FUSE.

PART NO: P8035-09

RoHS



MATERIAL

CLIP : PHOSPHOR BRONZE, TIN PLATED.
PACKING : 1000Nos. min. IN POLY BAGS

ORDERING INFORMATION

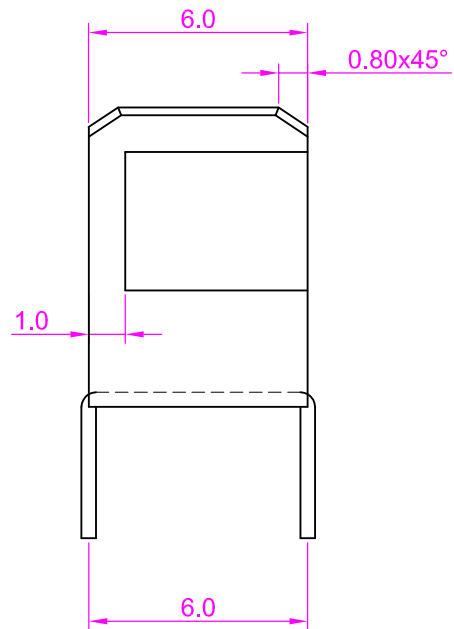
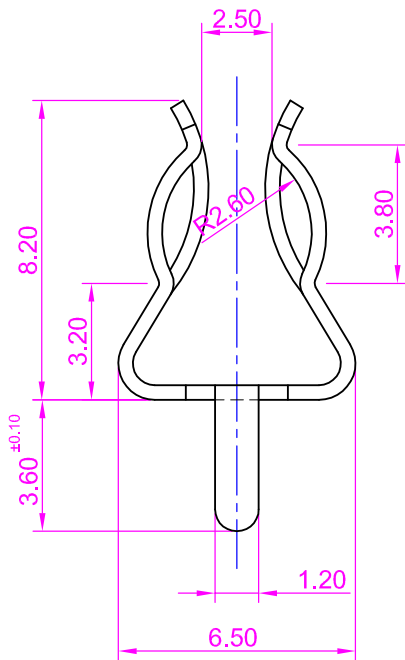
P8035-09



PROTECTRON ELECTROMECH (P) LTD

DESCRIPTION : FUSE CLIP OF 6.0mm PITCH FOR 5x20mm FUSE.

PART NO: P8035-09



A	ORIGINAL	SACHIN	06.02.2004			
REV.	DESCRIPTION		DRN. BY	DATE	CK'ED BY	APP'D BY
Projection: 		Scale: NTS	Sht. Size: A4	Gen. Tol.: ±0.25mm	ALL DIMENSIONS ARE IN MM. IF UNLESS OTHERWISE SPECIFIED.	