



PROTECTRON ELECTROMECH (P) LTD

DESCRIPTION : FUSE CLIP OF 6.80mm PITCH FOR 5x20mm FUSE

PART NO: P8035-05

RoHS



MATERIAL

CLIP : PHOSPHOR BRONZE (0.40mm THICK),
NICKEL PLATED

ELECTRICAL

CONTACT RESISTANCE : <5m OHMS
RATED CURRENT : 10A

ORDERING INFORMATION

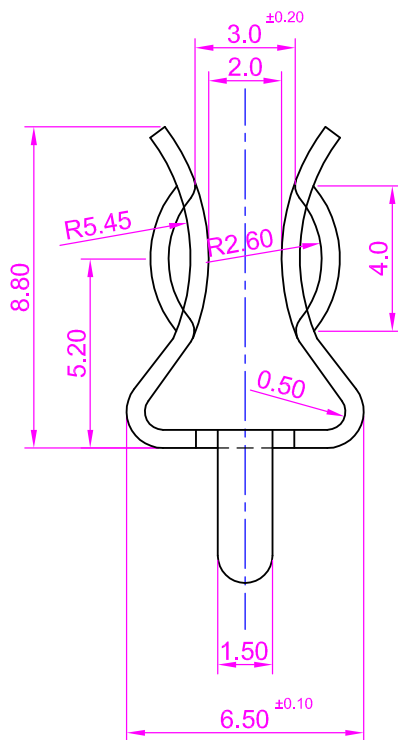
P8035-05



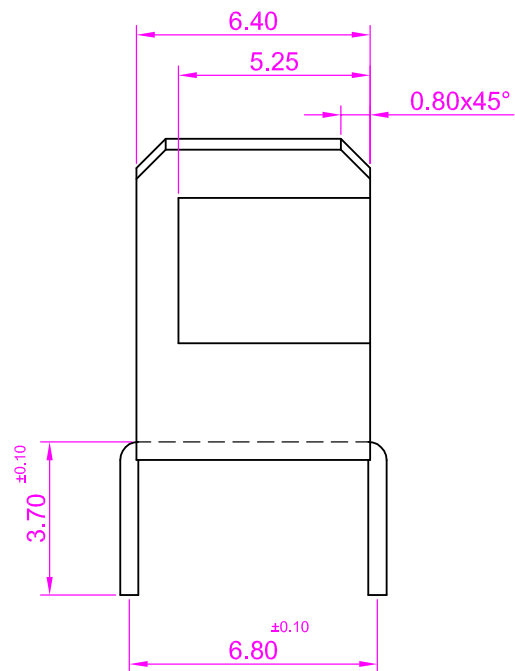
PROTECTRON ELECTROMECH (P) LTD

DESCRIPTION : FUSE CLIP OF 6.80mm PITCH FOR 5x20mm FUSE

PART NO: P8035-05



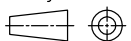
ELEVATION



SIDE VIEW

A1	MATL. THICKNESS IS CHANGED FROM 0.50mm TO 0.40mm	SACHIN	22.11.2003		
A	ORIGINAL	SACHIN	08.11.2003		
REV.	DESCRIPTION	DRN. BY	DATE	CK'ED BY	APP'D BY

Projection:



Scale: NTS

Sht. Size: A4

Gen. Tol.: ±0.25mm

ALL DIMENSIONS ARE IN MM.
IF UNLESS OTHERWISE SPECIFIED.

<http://www.protectron.in>

protectron@protectron.in