



# PROTECTRON ELECTROMECH (P) LTD

DESCRIPTION : PCB MOUNT CLIP FOR  $\phi$ 5.20mm FUSE

PART NO: P8035-02

RoHS



## MATERIAL

CLIP : PHOSPHOR BRONZE, TIN PLATED.  
PACKING : 1000Nos. min. IN POLY BAG

### ORDERING INFORMATION

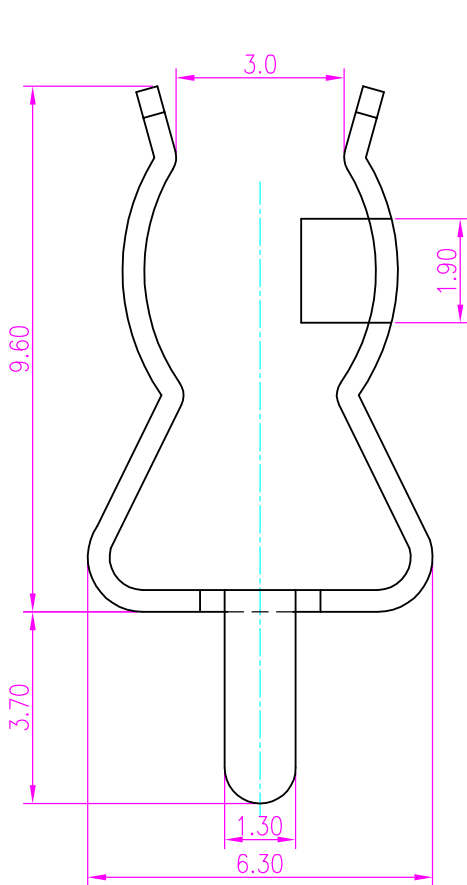
P8035-02



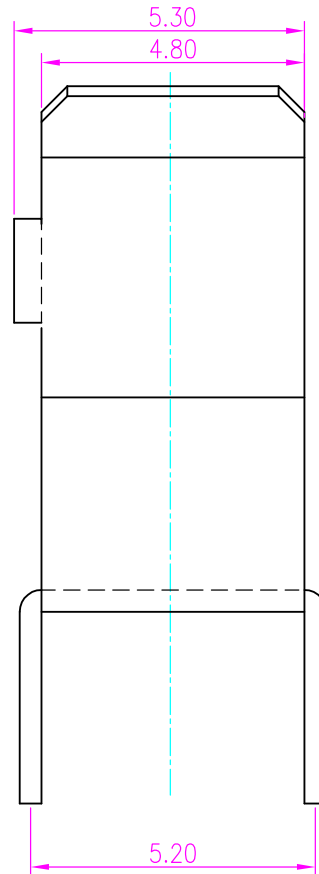
# PROTECTRON ELECTROMECH (P) LTD

DESCRIPTION : PCB MOUNT CLIP FOR  $\phi$ 5.20mm FUSE

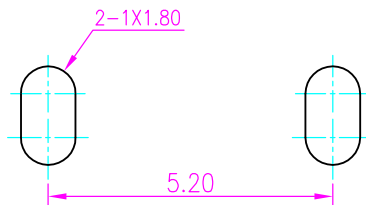
PART NO: P8035-02



ELEVATION



SIDE VIEW



PCB MOUNTING HOLE

A	ORIGINAL		RAJESH	03.04.2012		
REV.	DESCRIPTION			DRN. BY	DATE	CK'ED BY APP'D BY
Projection: 		Scale: NTS	Sht. Size: A4	Gen. Tol.: $\pm 0.2\text{mm}$ $\pm 2^\circ$	ALL DIMENSIONS ARE IN MM. IF UNLESS OTHERWISE SPECIFIED.	