



PROTECTRON ELECTROMECH (P) LTD

DESCRIPTION : PCB MOUNT CLIP FOR ϕ 5.20mm FUSE

PART NO: P8035-01

RoHS



MATERIAL

CLIP : PHOSPHOR BRONZE, TIN PLATED.
PACKING : 1000Nos. min. IN POLY BAG

ORDERING INFORMATION

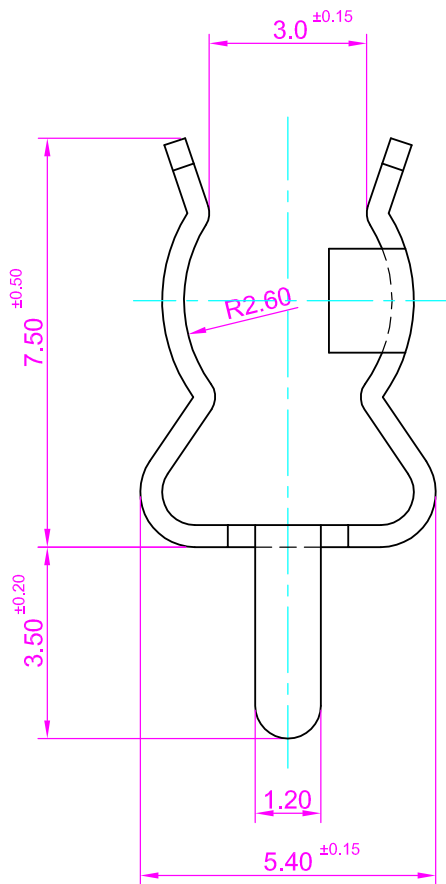
P8035-01



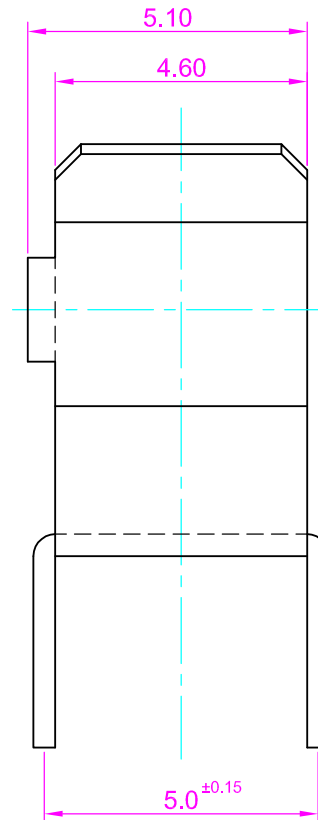
PROTECTRON ELECTROMECH (P) LTD

DESCRIPTION : PCB MOUNT CLIP FOR $\phi 5.20\text{mm}$ FUSE

PART NO: P8035-01



ELEVATION



SIDE VIEW

A	ORIGINAL		SACHIN	17.06.2005		
REV.	DESCRIPTION			DRN. BY	DATE	CK'ED BY APP'D BY
Projection: 		Scale: NTS	Sht. Size: A4	Gen. Tol.: $\pm 0.25\text{mm}$	ALL DIMENSIONS ARE IN MM. IF UNLESS OTHERWISE SPECIFIED.	