



PROTECTRON ELECTROMECH (P) LTD

DESCRIPTION : FUSE BLOCK FOR 6.3 x 32 mm

PART NO: P8030-01

RoHS



ELECTRICAL DATA

DIELECTRIC STRENGTH FOR 60 SEC	:	AC 500V MIN
SUITABLE RATED CURRENT	:	10A 250V
INSULATION RESISTANCE AT 500V DC	:	100M Ω MIN
VOLTAGE DROP	:	40mV MAX.
CONTACT RESISTANCE	:	30m Ω MAX.

MECHANICAL DATA

INSERTION AND EXTRACTION FORCE	:	1KG.MIN
--------------------------------	---	---------

ENVIRONMENTAL DATA

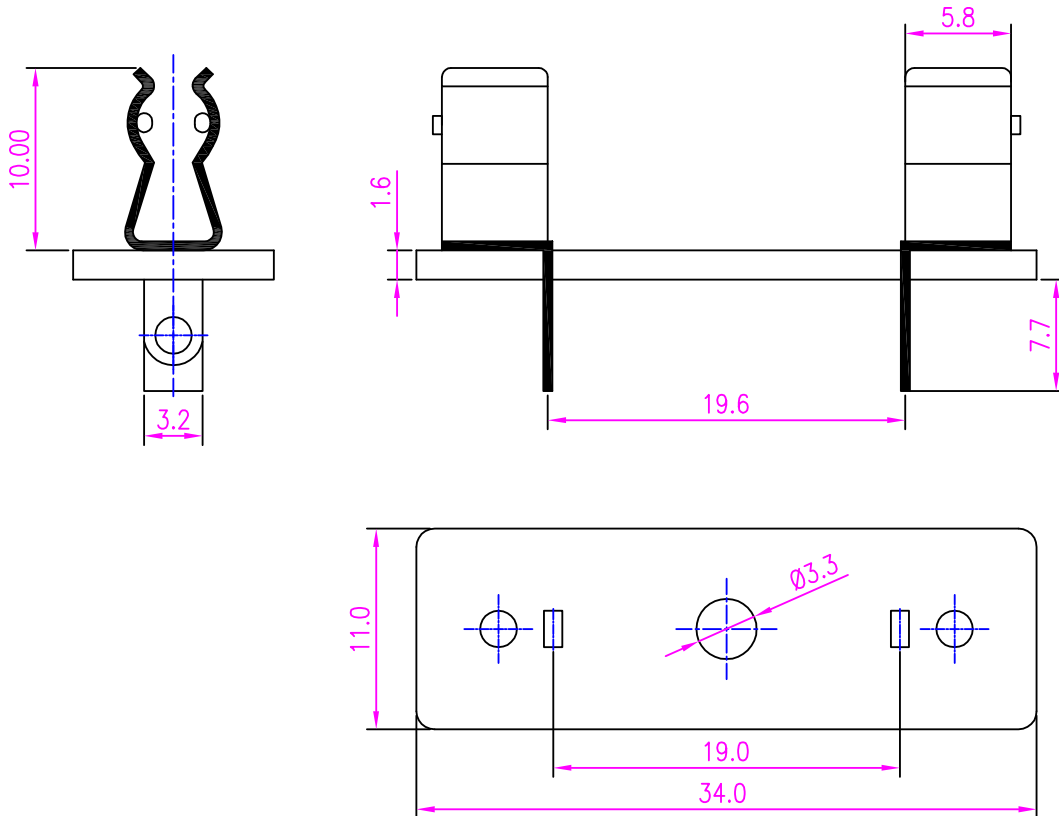
TEMPERATURE RISE	:	50°C MAX.
------------------	---	-----------



PROTECTRON ELECTROMECH (P) LTD

DESCRIPTION : FUSE BLOCK FOR 6.3 x 32 mm

PART NO: P8030-01



ORDERING INFORMATION

P8030-01

A	ORIGINAL	RAJESH	10.11.2011			
REV.	DESCRIPTION		DRN. BY	DATE	CK'ED BY	APP'D BY
Projection: 		Scale: NTS	Sht. Size: A4	Gen. Tol.: $\pm 0.1\text{mm}$ $\pm 0.2^\circ$	ALL DIMENSIONS ARE IN MM. IF UNLESS OTHERWISE SPECIFIED.	