



PROTECTRON ELECTROMECH (P) LTD

DESCRIPTION : PCB MOUNT FUSE HOLDER FOR 5x20mm, BOX TYPE

PART NO: P8029-18

RoHS



PHYSICAL

INSULATOR BODY : NYLON6 FR GRADE, UL 94V-0
CONTACT : BRASS, TIN PLATED

ELECTRICAL

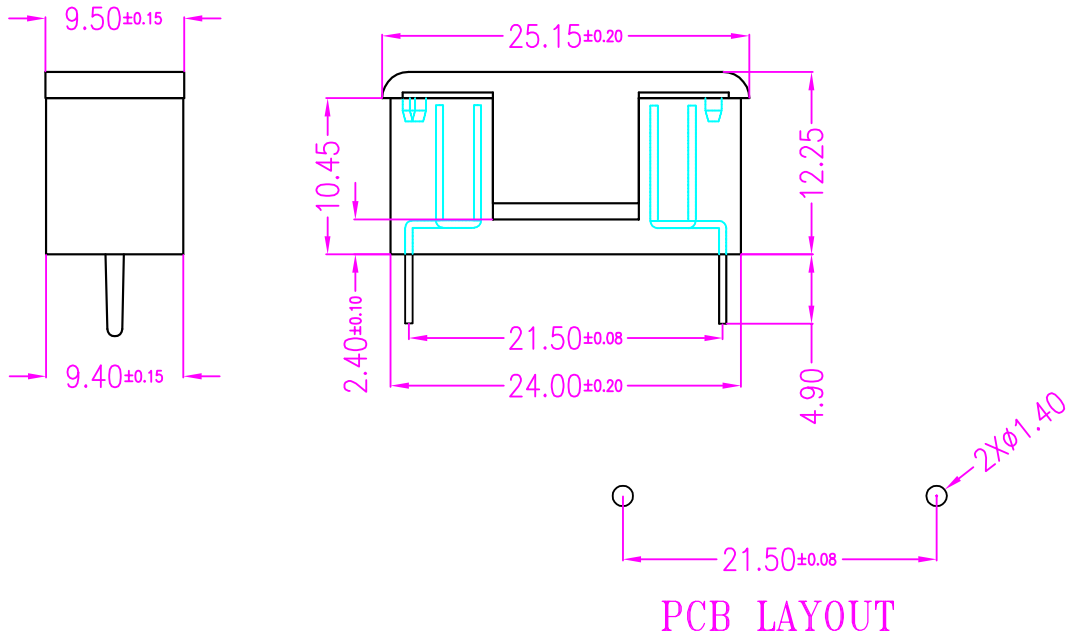
RATED CURRENT : 6.3A
INSULATION RESISTANCE : 100M Ω MIN
CONTACT RESISTANCE : 5m Ω MAX
BREAKING VOLTAGE : 1500V MIN



PROTECTRON ELECTROMECH (P) LTD

DESCRIPTION : PCB MOUNT FUSE HOLDER FOR 5x20mm, BOX TYPE

PART NO: P8029-18



ORDERING INFORMATION
P8029-18 for 5x20mm Fuse

A	ORIGINAL	SIDDU	20.01.2011		
REV.	DESCRIPTION	DRN. BY	DATE	CK'ED BY	APP'D BY
Projection:		Scale: NTS	Sht. Size: A4	Gen. Tol.: ±0.1mm ±0.2°	ALL DIMENSIONS ARE IN MM. IF UNLESS OTHERWISE SPECIFIED.